



Features & Options

- Low Profile Delta Style Enclosure with Optional Display
- Humidity Only or Temperature/Humidity Combo
- 2% and 3% RH Accuracies
- Optional Communications Jack
- User Adjustable Toggle Rate Between Temp & Humidity Display
- Wide Selection of Temperature Sensing Elements
- Full-range Temperature Compensation of RH Signal
- Five Year Warranty

The Delta Style room units are available as Humidity Only sensors or as Combination temperature and humidity sensors. They feature an optional display with a user adjustable toggle rate between humidity and temperature and can display in either °C or °F.

The unit is available with the entire line of BAPI temperature sensors. If a temperature transmitter and humidity transmitter are desired, then see the "X-Combo" Unit on pages B10-11 of this section.



Delta Style Enclosures with and without Display

Specifications

Power:

10 to 35 VDC (0 to 5 VDC or 4 to 20 mA Outputs)
 15 to 40 VDC (0 to 10 VDC Output)
 12 to 24 VAC (0 to 5 VDC Output)
 15 to 28 VAC (0 to 10 VDC Output)

Note: If AC power is used, it must be shielded from the signal wiring

Power Consumption:

22 mA max. DC (0 to 5 VDC or 4 to 20 mA Outputs)
 6 mA max DC (0 to 10 VDC Output)
 0.53 VA max. AC (0 to 5 VDC Output)
 0.14 VA max. AC (0 to 10 VDC Output)

Sensing Elements:

Temperature - Thermistor or RTD
 (See "Sensors" section for specs.)

Humidity - Capacitive Type,
 ±2% or ±3%RH @ 25°C (77°F), 0 to 90%RH

%RH Calibration Adjustment: ±5% POT

Wiring: 2 to 3 pair of 16 to 22 AWG*

*BAPI recommends that you do not run wiring for the room units in the same conduit as line voltage wiring or with wiring used to supply highly inductive loads such as motors, generators and coils.

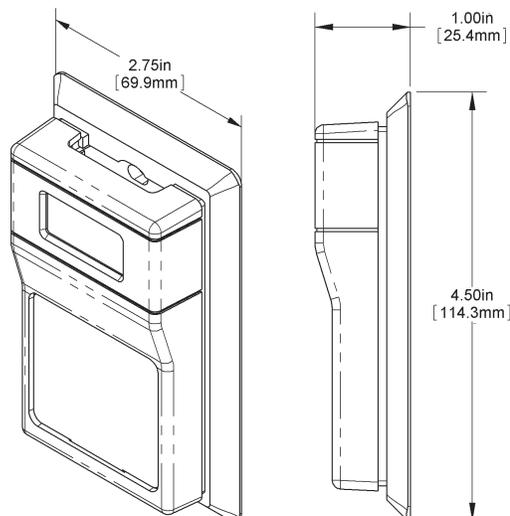
Mounting: 2"x4" J-box or drywall mount - screws provided

Environmental Operation Range:

Temp: 32 to 122 °F (0 to 50 °C)
 Humidity: 5 to 95%, non-condensing

Material & Rating: ABS Plastic, UL94 HB

Agency: RoHS and CE





Delta Style Room Humidity Units

C11

Humidity or Combination Temp/Humidity Sensors

Use the Option Selection Guide below to create your custom part number. Replace the number and parenthesis with the designator for each selection. Skip the designator and dashes for optional selections that are not required in your configuration.

Delta Style Room Humidity Sensor Option Selection Guide:

BA/ (#1) - (#2) - (#3) - (#4) - (#5)

#1: Temperature Sensor (optional)

- 1K[375] 1K Platinum RTD (375 curve)
- 1K 1K Platinum RTD (385 curve)
- 1.8K 1.8K Thermistor
- 3K 3K Thermistor
- 10K-2 10K-2 Thermistor
- 10K-3 10K-3 Thermistor
- 10K-3[11K] 10K-3[11K] Thermistor
- 20K 20K Thermistor

#2: Humidity Output (required)

- H200 Interchangeable 4 to 20mA or 0 to 5V Output
- H210 0 to 10V Output

#3: Display and Indication (required)

- RD With Display
- R No Display

#4: Communication Jack (optional)

- C35L 3.5 mm Phono Style Jack

#5: Enclosure Color (required)

- BW Bright White Enclosure Color

Additional options are available for these units but not shown in this Selection Guide. Contact your BAPI representative for the complete list of options. Submittal sheets without List Prices can be downloaded from our website at www.bapihvac.com

Example Number: BA/ (10K-2) - (H200) - (RD) - (C35L) - (BW)

Actual Number (with parenthesis removed): BA/10K-2-H200-RD-C35L-BW

Description: 10K-2 Thermistor Temperature Sensor, 4 to 20mA or 0 to 5V Interchangeable Humidity Output, Delta Style Room Enclosure with Display, 3.5mm Phono Style Comm. Jack, Bright White Enclosure Color

Your Number: BA/

