

# QD3041

BACnet Building Manager

The QD3041 BACnet Building Manager connects the local site BACnet controller network with Ubiquity Cloud.



BACnet® is a registered trademark of ASHRAE.

## Description

The QD3041 is a compact, comprehensive Building Manager which utilizes industry standard BACnet protocols for direct communication with integrated BACnet control devices and external controllers.

The QD3041 supports two RS-485 networks for communication with BACnet devices such as thermostats, HVAC units, controls, sensors, lighting, refrigeration units, variable frequency drives, and energy metering devices.

The QD3041 connects with TCS's Ubiquity Cloud Energy Management System, which remotely manages building devices and data collection via a standard web browser. Retail stores, banks, offices, "big box" stores,

schools, churches, restaurants, educational, and multi-site enterprises can utilize the Ubiquity Cloud Building Management System.

Ubiquity Cloud provides extensive site management and data collection tools, giving users full control of their energy usage while reducing operation costs. See the [Ubiquity Cloud](#) section on the [TCS website](#) for more information.

Device management services, including updates and upgrades to the QD3041 operating system and application, are performed by TCS via Ubiquity Cloud and are included in the Ubiquity Cloud subscription services – there are no additional licensing or device management fees.

## Features

- Automatic connection to Ubiquity Cloud to manage all controller networks
- Cloud technology enables the Ubiquity Cloud energy management platform to coordinate device programming and scheduling from anywhere, anytime
- Supports industry standard BACnet MS/TP for all network communications via RS-485 wiring
- Connection between third-party BACnet devices and the QD3041 reduces the need to install intermediary controllers.
- Provides simultaneous management of many controller types, such as HVAC, lighting, refrigeration, and energy meters
- The QD3041 automatically detects BACnet devices and relays that information to Ubiquity Cloud. Ubiquity Cloud is then used to discover objects and program the monitoring information into the QD3041
- BTL Listed
- Two built-in serial ports for RS-485 network connections support up to 32 devices on each port
- Firewall protection/encrypted communication with Ubiquity Cloud
- Multiple control policies including override strategy
- Integrated local configuration web page
- User-adjustable controller monitoring rate
- Remotely upgradeable gateway software, Linux OS, and security patches via Ubiquity Cloud subscription
- Basic local configuration via web browser or command line interface
- Reading/writing of BACnet schedules
- Dual Ethernet ports: Port C for LAN connection, and Port L for Local Admin via laptop computer

## Specifications

### General

#### Platform:

- AMD64 processor with optically isolated serial communications

#### Two Integrated RS-485 Ports:

- Removable screw terminal blocks
- 22 AWG, 3 conductor twisted and shielded wire
- Up to 32 controllers per network

**Baud Rates:** 9600, 19200, 38400, 57600, 115200

### Environmental

**Operating temperature:** 32 to 131° F (0 - 55°C), Good ventilation mandatory. Ideal environment is in a server room

**Operating humidity:** 0-90% Non-condensing

**Storage temperature:** 32 to 131° F (0 - 55°C)

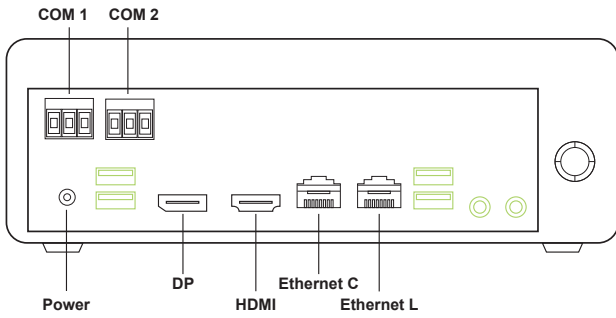
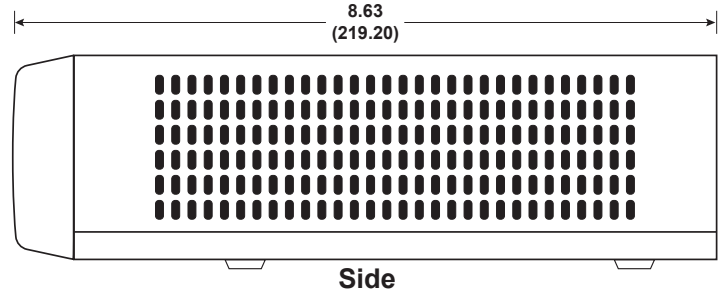
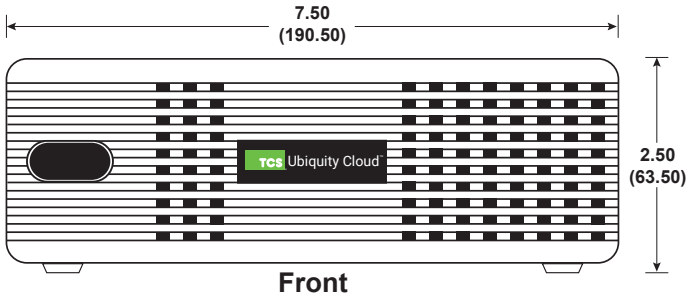
### Electrical

**Supply voltage:** 120 - 240 VAC, 165 VA 2.5 A Max, UL, FCC Class A, and CE Listed

*Specifications subject to change without notice.*

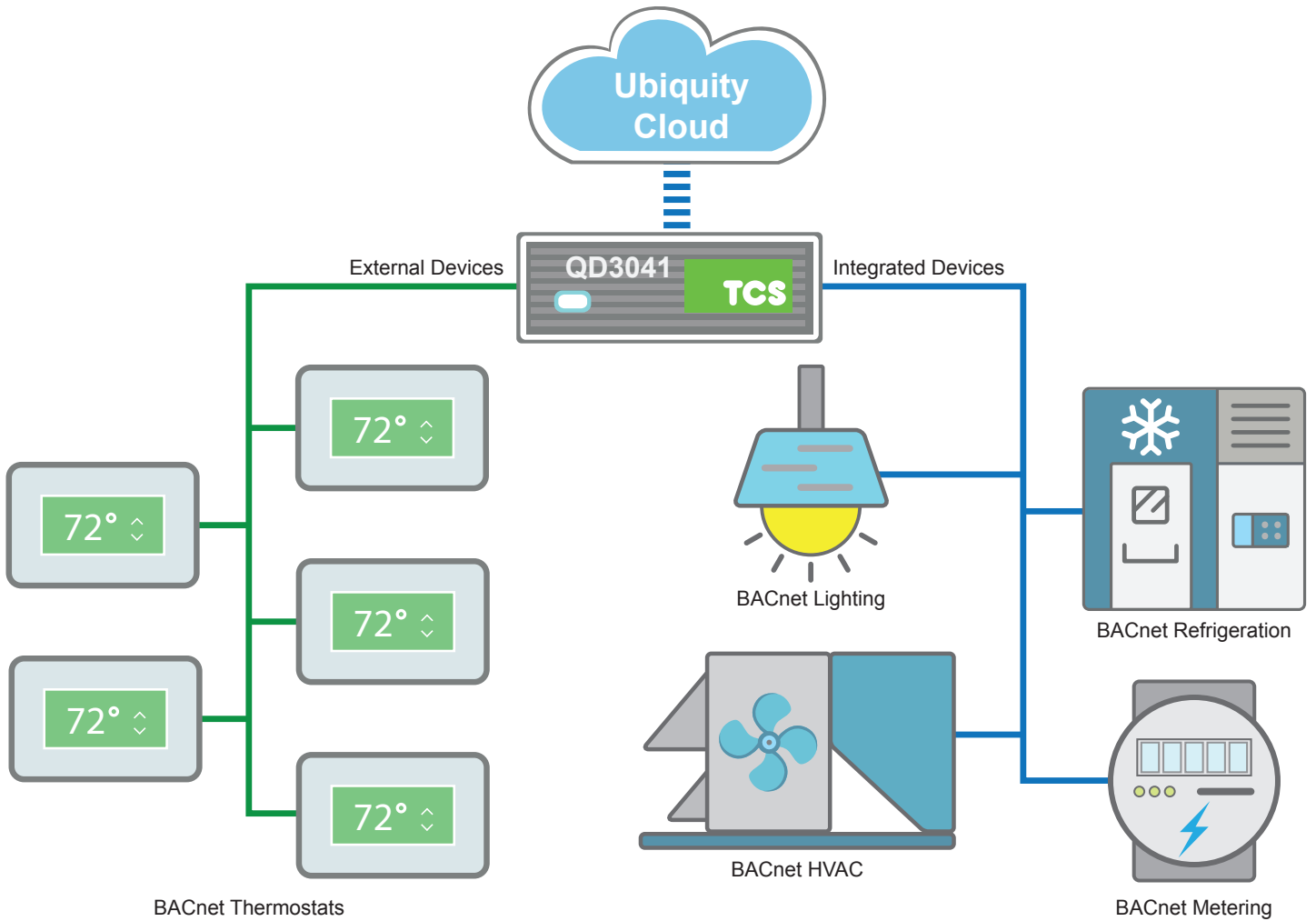
# Dimensions and Connections

Units in inches (mm)



= Not Used

# System Architecture



# Ordering

**Part #**            **Description**  
**QD3041**            BACnet Building Manager

## QD3041 Series Accessories

**PI6405**            Cellular Modem (Model based on geographic location)  
**PI3100**            BACnet IP to MS/TP Router

## QD3041 Related Products

**US4010/4110\***    Single-Stage RTU/Zoning UbiquiSTAT Thermostat  
**US4020/4120\***    Multi-Stage RTU UbiquiSTAT Thermostat  
**US4040/4140\***    Advanced RTU UbiquiSTAT Thermostat  
**US4050/4150\***    Advanced Application UbiquiSTAT Thermostat

\*WiFi Model

View our full line at [www.tcsbasys.com](http://www.tcsbasys.com).



**QD3041 BACnet Building Manager**



**UbiquiSTAT Thermostat**



**PI3100 BACnet IP to MS/TP Router**



**PI6405 Cellular Modem**