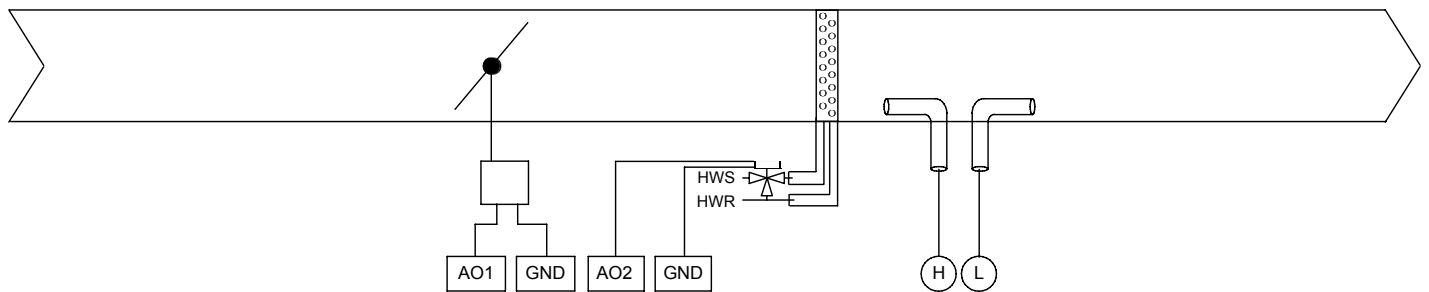


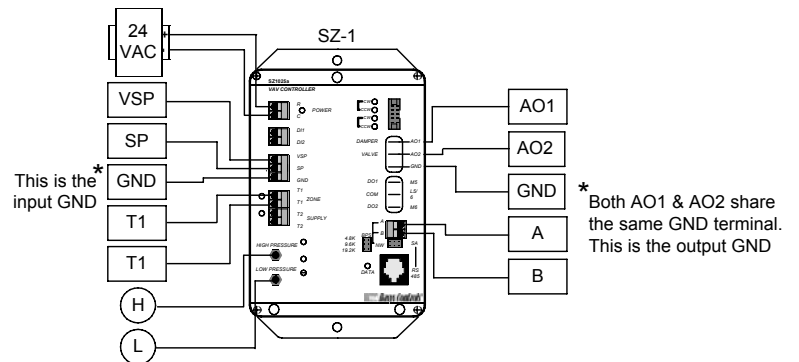
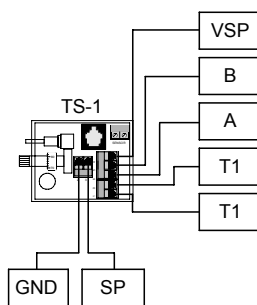
Sequence of Operation

Controller SZ-1 will modulate the hot water valve to maintain an adjustable heating temperature set-point, and will modulate the damper to maintain the adjustable cooling setpoint.

Pressure Independent VAV Control



Remote Room Sensor



equipment schedule			
Item	Quantity	Mod. Number	Description
SZ-1	1	SZ1025a	VAV Controller
TS-1	1	TS2023a	Room Sensor