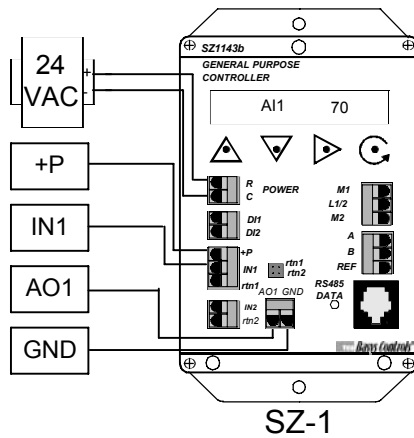
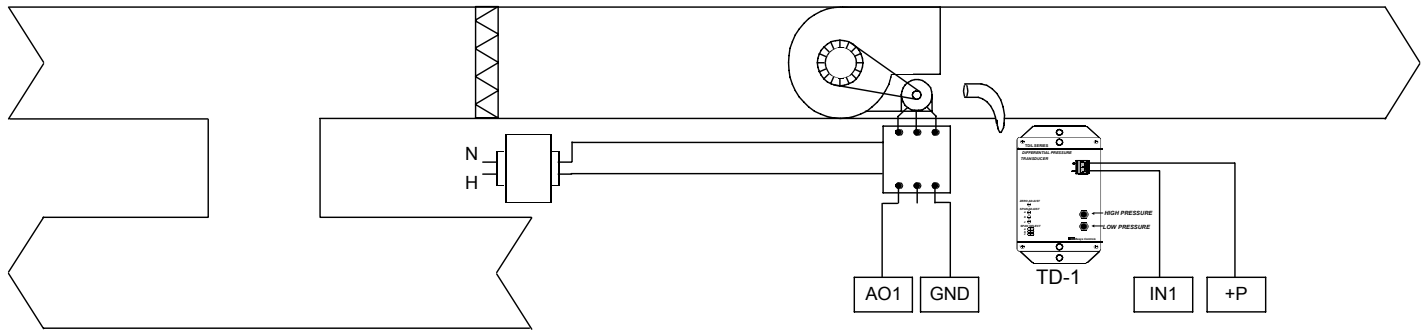


Sequence of Operation

When building static pressure drops below adjustable setpoint, the SZ-1 will modulate the VFD to maintain desired building static pressure

Building
Static
Pressure



equipment schedule			
Item	Quantity	Mod. Number	Description
SZ-1	1	SZ1143b	Controller
TD-1	1	TD1190	Pressure Sensor

