



## TH Series

Relative Humidity Transmitters

### Description

The TH Series relative humidity transmitters are designed to provide accurate relative humidity measurement.

#### The TH Series features:

- Rugged bulk polymer resistive sensor for long term durability and stability
- Available in wall, duct and outdoor mounts
- Two-wire 4-20 mA linear output
- Loop-powered
- Humidity reading from 0 to 100%

### Specifications

#### General

**Accuracy:** +/-1%, 2%, 3% or 5% RH (from 20 to 95% RH) @ 77°F (25°C)  
**Repeatability:** +/-0.5% RH (from 20 to 95% RH)  
**Stability:** +/-1% RH drift per year  
**Response time:** 20 sec. (30 to 80% RH - still air)  
**Media Compatibility:** Inorganic gases only

#### Environmental

**Operating temperature:**  
Transmitter: 32 to 122°F (0 to 50°C )  
Sensor: -15 to 170°F (-26.1 to 76.7°C )  
**Operating humidity:** 0 to 100% RH,  
non-condensing  
**Storage temperature:** 14 to 176°F (-10 to 80°C)

#### Electrical

**Supply voltage:** 8 to 35 VDC  
**Input voltage effect:** +/-0.003% of span/volt  
**Output:** 4 to 20 mA DC, 2-wire  
**Polarity protection:** Diode protected  
**Maximum over-current:** 25 mA  
**Radio frequency interference effect:** +/-0.5% FSO @ 27 MHz  
**Electromagnetic interference effect:** +/-1.0% FSO

Specifications subject to change without notice.

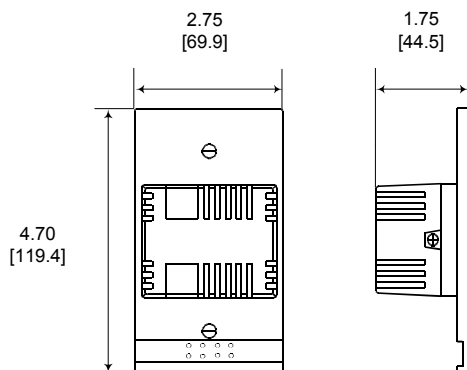
# Ordering Information

Part No.	Description
TH1010	Relative humidity transmitter, wall mount, +/-5% accuracy
TH1011	Relative humidity transmitter, duct mount, +/-5% accuracy
TH1012	Relative humidity transmitter, outdoor mount, +/-5% accuracy
TH1020	Relative humidity transmitter, wall mount, +/-3% accuracy
TH1021	Relative humidity transmitter, duct mount, +/-3% accuracy
TH1022	Relative humidity transmitter, outdoor mount, +/-3% accuracy
TH1210	Relative humidity transmitter, wall mount, +/-2% accuracy
TH1211	Relative humidity transmitter, duct mount, +/-2% accuracy
TH1212	Relative humidity transmitter, outdoor mount, +/-2% accuracy
TH1110	Relative humidity transmitter, wall mount, +/-1% accuracy
TH1111	Relative humidity transmitter, duct mount, +/-1% accuracy
TH1112	Relative humidity transmitter, outdoor mount, +/-1% accuracy

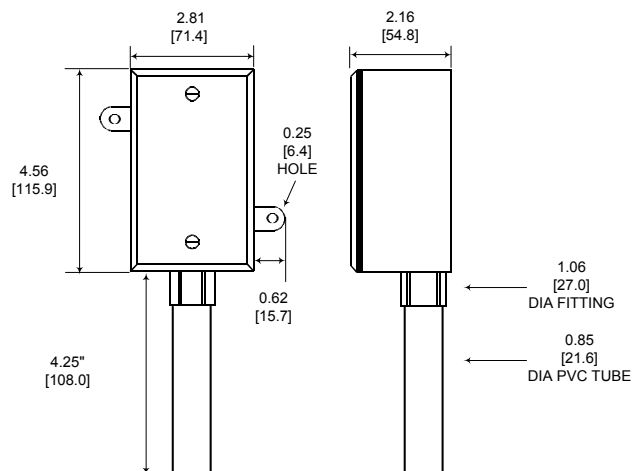
## Dimensions

Note: inches [mm]

### Wall Mount



### Outdoor Mount



### Duct Mount

