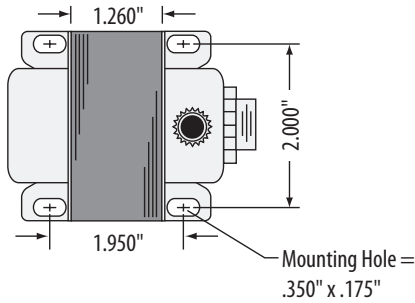


## Transformer

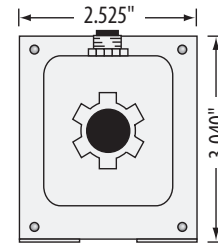
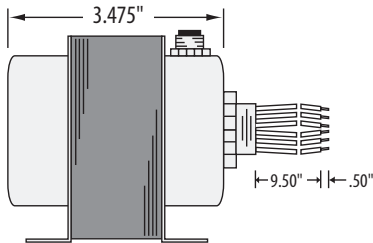
### TR50VA015

Transformer 50 VA, 480/277/240/208/120 to 24 Vac, Circuit Breaker, Foot and Single Threaded Hub Mount



PRIMARY WIRES	SECONDARY WIRES
Gry - 480 Vac	Yel/Wht - 24 Vac*
Brn - 277 Vac	
Org - 240 Vac	
Red - 208 Vac	
Wht - 120 Vac	
Blk - Comm	Yel - Comm

\*Secondary Yel/Wht wire in phase with Primary Blk wire.



### SPECIFICATIONS

- VA Rating: 50
- Frequency: 50/60 Hz
- Mounting: Foot & Single Threaded Hub
- Over Current Protection: Circuit Breaker
- Dimensions: 3.040" x 2.525" x 3.475" (w/ .500" NPT Hub)
- Wire Length: 9.5" Typical w/ .5" Strip
- Operating Temperature: -30 to 140° F
- MTBF: 100,000 Hours @ 77° F
- Construction: Split-Bobbin
- Weight: 2.98 lbs.
- Approvals: Class 2 UL5085-3 Listed, C-UL, CE, RoHS

### Notes