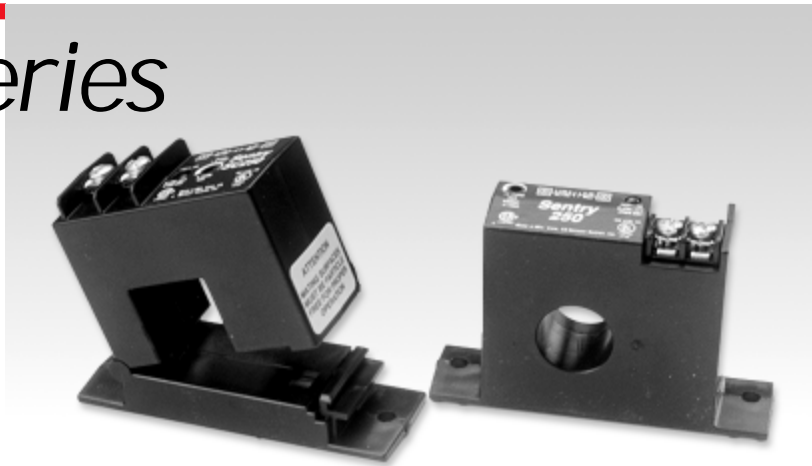


# SENTRY 250 Series

## Current Operated Switches

The Sentry 250 Series Current Switches monitor up to 250 amps AC and provide an AC/DC switch with either a fixed set point (go/no-go) or an adjustable set point. They offer proven reliability and solid performance in both solid core and split core configurations.



### FEATURES

#### Reliability

Field-proven in hundreds of thousands of installations since 1982. Solid performance even in rooftop environments. Backed by five-year warranty.

#### Convenience

Compact size, built-in mounting bracket, and universal output mean that installation is simple, fast and secure. You save money and avoid callbacks. The split core version simplifies retrofits.

#### “Smart” LED

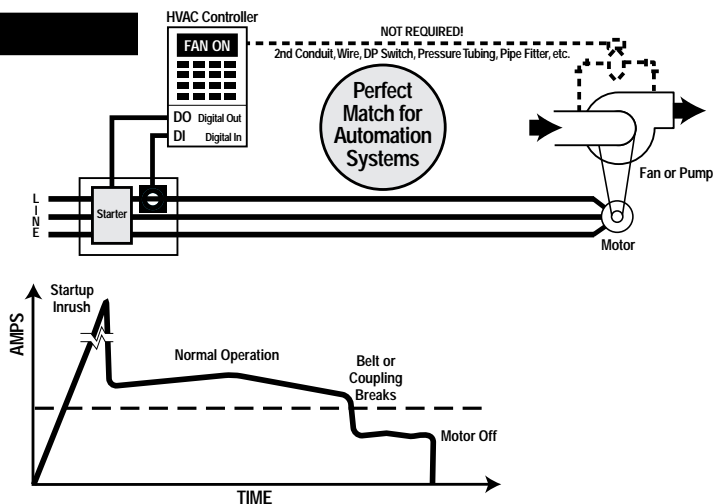
Easily adjust set point and verify operation even before system hookup. (See Ordering Information for availability.)

#### Self-Powered

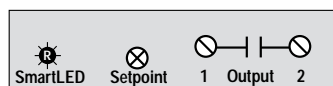
Cuts installation and operating costs.

### APPLICATIONS

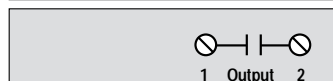
- Monitor fan and pump status
- Monitor heating elements
- Monitor lighting circuits
- Verify status of facility or equipment power
- Direct control of light loads, such as lamps and relays



### CONNECTIONS



Typical of 250/SC250  
No LED on 245/SC245



Typical of 225/SC225

#### NOTES

- Terminals are #6 screws.
- Solid state AC/DC switch is not polarity sensitive.
- Normally open contact shown. Normally closed is similar.



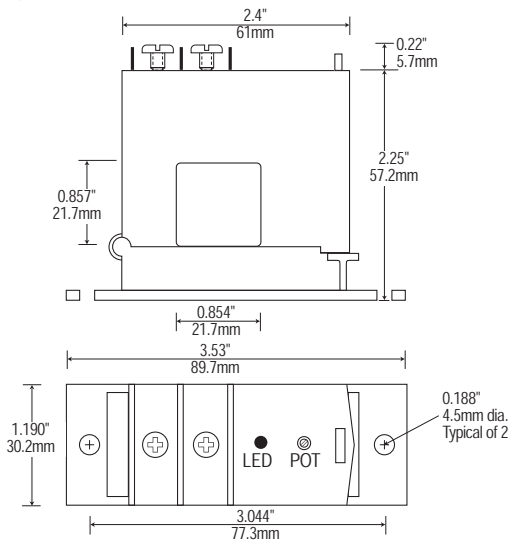
Neilsen-Kuljian, Inc.  
(800) 959-4014

www.SentrySensors.com

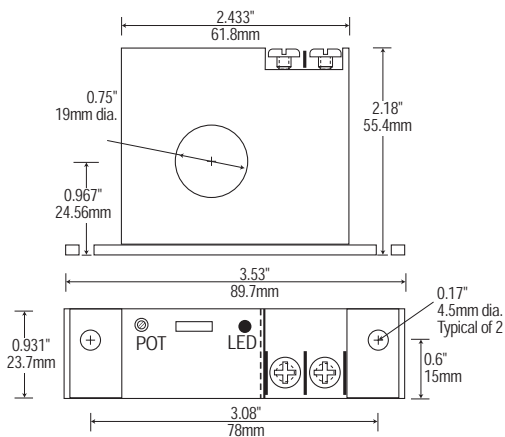
# SENTRY 250 Series

## Current Operated Switches



### Split Core



### Solid Core



## SPECIFICATIONS

Power Requirement . . .	None, self-powered			
Output . . . . .	Magnetically Isolated Solid State Switch			
Switch Rating . . . . .	N.O. versions: 0.3A @ 135 VAC or VDC N.C. version: 0.2A @ 135 VAC or VDC Not polarity sensitive			
Off State Leakage . . . .	None			
Response Time . . . . .	<120 milliseconds			
Set Point Range . . . . .	See Ordering Information			
Hysteresis . . . . .	5% of set point			
Max Current . . . . .		<b>Continuous</b>	<b>6 Sec</b>	<b>1 Sec</b>
	225/SC225	250A	500A	1,000A
	Other models	150A	400A	1,000A
Isolation Voltage . . . . .	UL Listed to 1,270 VAC, tested to 5kV			
Frequency Range . . . . .	6-100Hz			
Sensing aperture . . . . .	0.75" (19mm) diameter (solid core) 0.85" (21.5mm) square (split core)			
Case . . . . .	UL 94V-O Flammability Rated			
Environmental . . . . .	Ø58 to 149°F (Ø50 to 65°C) Ø95% RH, non-condensing			
Approvals . . . . .	UL, ULC, CE  			

## OUTPUT TABLE

CONDITION	SMART LED	N.O. SWITCH	N.C. SWITCH
No Current Flowing	Off	Open	Closed
Current Below Set Point	Slow Flash (2 Sec)	Open	Closed
Current Above Set Point	Fast Flash (0.5 Sec)	Closed	Open

**Need an interposing relay? See the new PowerBASE Relay on page 13.**

## ORDERING INFORMATION

MODEL	SET POINT RANGE	N.O./N.C.	LED	CASE
Sentry 225	Fixed, 0.75A	N.O.	No	Solid Core
Sentry 245	1.0-150 A	N.O.	No	Solid Core
Sentry 250	1.0-150 A	N.O.	Yes	Solid Core
Sentry SC225	1.25-150A	N.O.	No	Split Core
Sentry SC245	1.75-150A	N.O.	No	Split Core
Sentry SC250	1.75-150A	N.O.	Yes	Split Core
Sentry SC250-NC	1.75-150A	N.C.	Yes	Split Core



**Neilsen-Kuljian, Inc.**  
**(800) 959-4014**  
sales@SentrySensors.com