



AEG



LS7K-04

DESCRIPTION

The **LS7K Series Lighting Contactors** are electrically held and are available in four-pole normally closed or normally open configurations. The 30 amp contacts are fully rated for general purpose and ballast lighting loads. Compact size and two mounting methods make installation easy, and use of the normally-closed style may eliminate the need for a more expensive latching contactor to keep lights on should the control circuit fail.

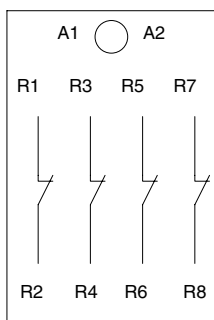
FEATURES

- *DIN or surface mounting*
- *Easy parts replacement*
- *Normally closed (N.C.) or normally-open (N.O.) four-pole style*

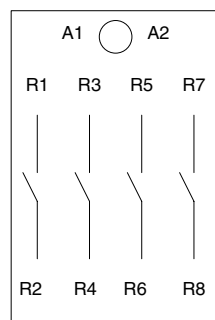
SPECIFICATIONS

Frequency	50/60 Hz	Mounting	Surface or DIN rail
Coil Burden	45 VA inrush, 6 VA Holding	Approvals	UL listed File #E76233, CE
Coil Voltage	24 VAC, 120 VAC or 277 VAC	Weight	0.66 lb (0.3 kg)
Contact Type	Four (N.O. or N.C.) Electronically Held	Warranty	1 year
Contactor Ballast	30 A @ 600 VAC	NOTE: Electrically held contactors and starters can emit a humming noise when the coil is energized.	
Contactor Tungsten	20A at 277 VAC		
Wiring	14-10 AWG 75°C copper only		

DIMENSIONS

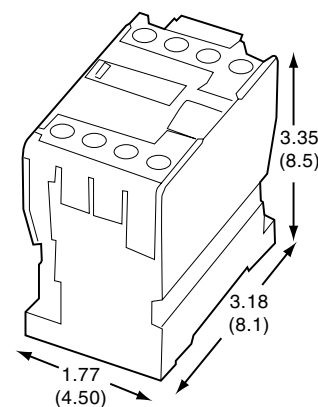


Four-pole N.C.
Contactor



Four-pole N.O.
Contactor

DIMENSIONS



LS7K-04-A/G
LS7K-40-A/G

ORDERING INFORMATION

MODEL	DESCRIPTION
LS7K-04-A	Four-pole, N.C., 30A contactor, 120 VAC coil
LS7K-04-G	Four-pole, N.C., 30A contactor, 24 VAC coil
LS7K-40-A	Four-pole, N.O., 30A contactor, 120 VAC coil
LS7K-40-G	Four-pole, N.O., 30A contactor, 24 VAC coil
LS7K-04-H	Four-pole, N.C., 30A contactor, 277 VAC coil
LS7K-40-H	Four-pole, N.O., 30A contactor, 277 VAC coil