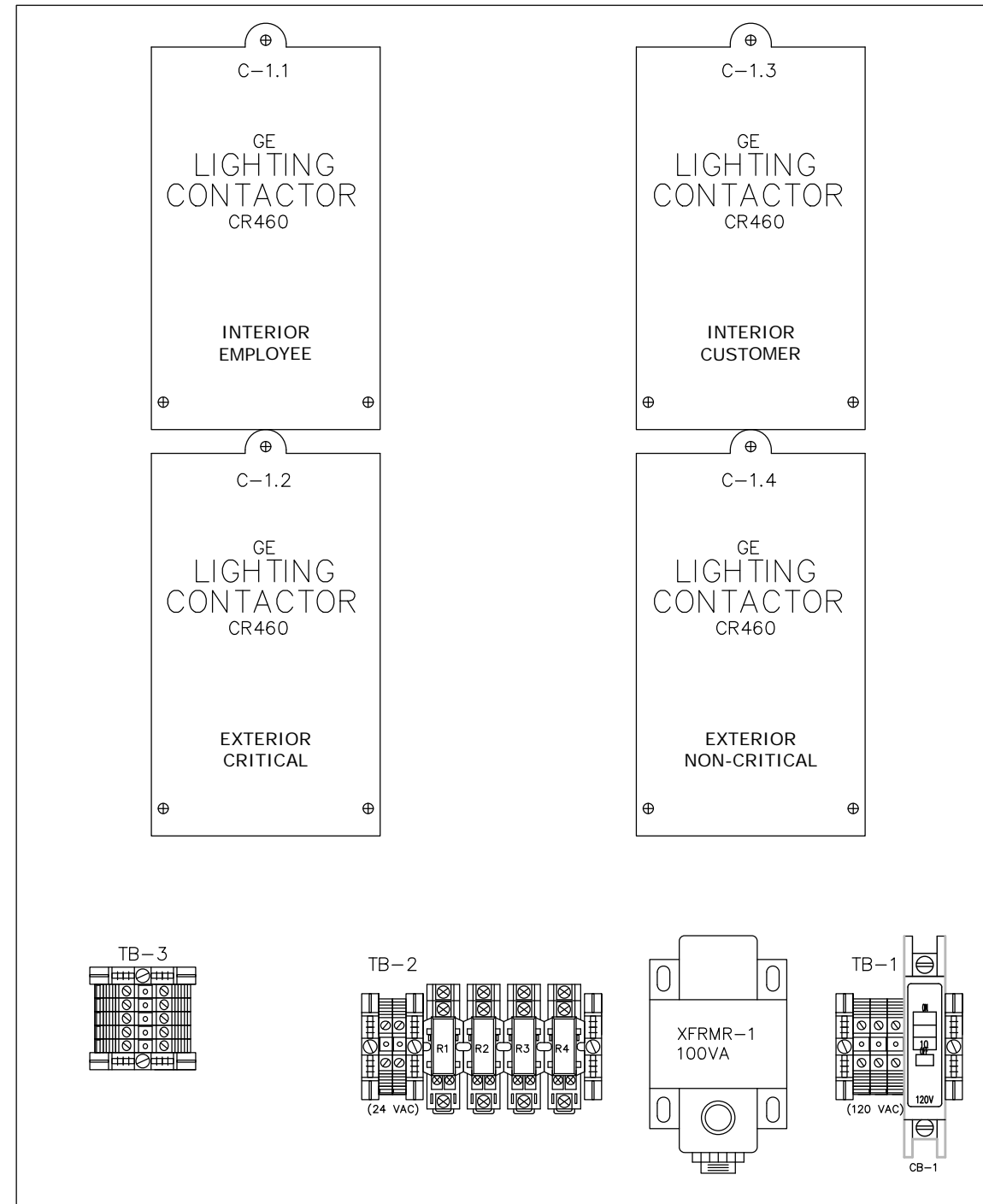


CP-1 20X24 BOX  
 CP-1 18X22 INSERT



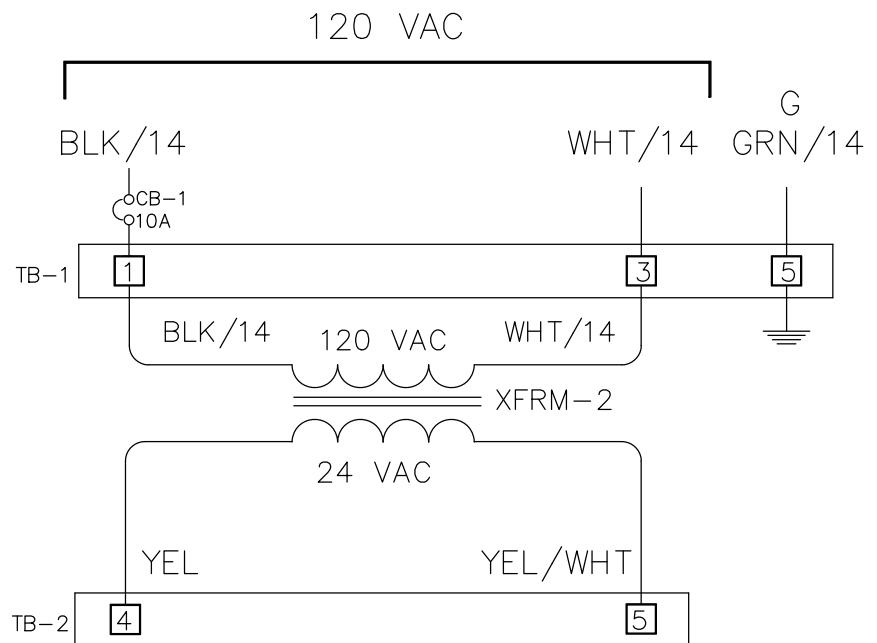
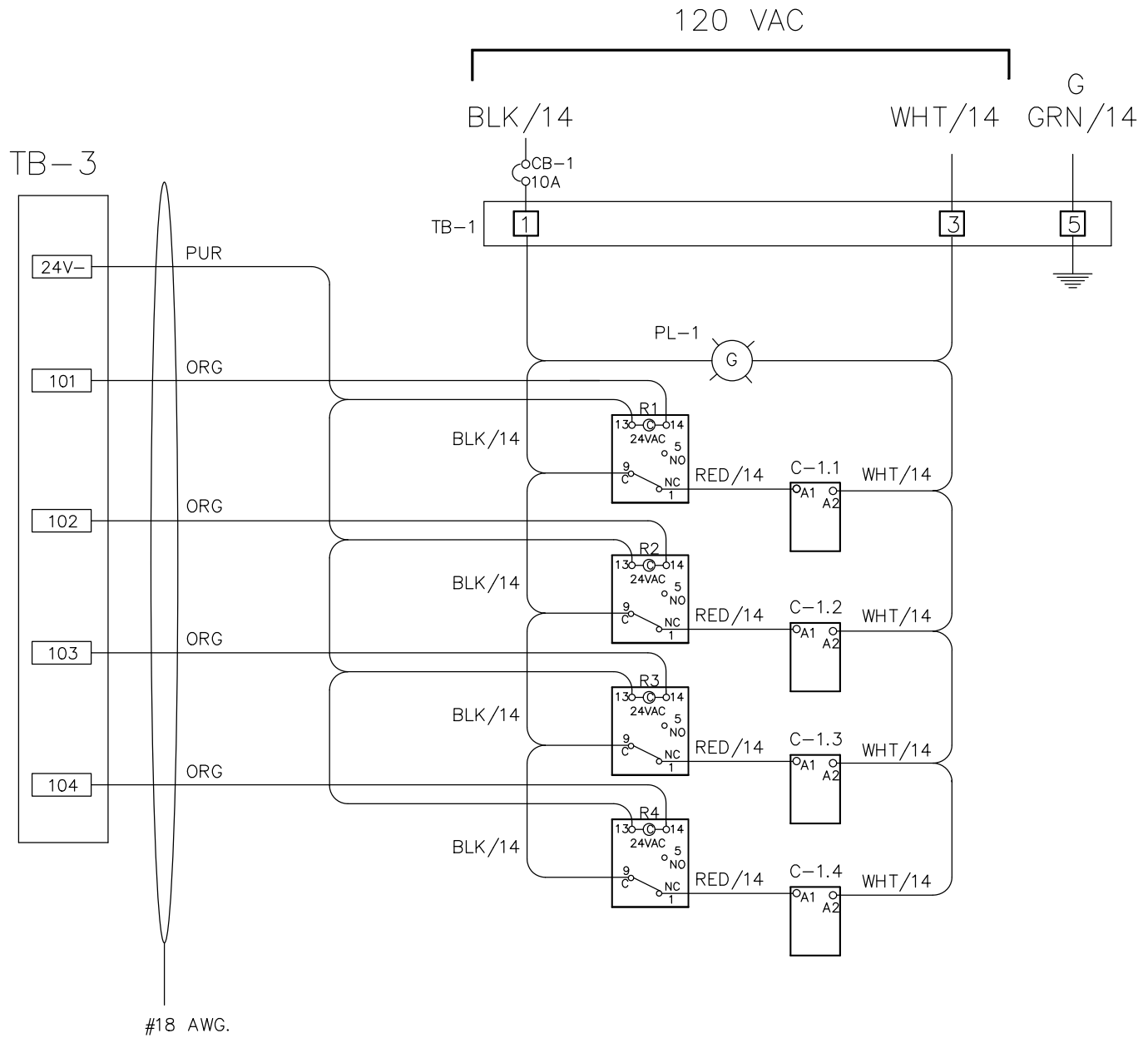
PANEL CP-1

UL 508A PANEL BUILT FOR TCS BASYS CONTROLS BY: ENERGY MANAGEMENT CONSULTANTS 1550 LAFOLLETTE STREET PH:(608) 822-3550 FENNIMORE, WI 53809 FAX: (608) 822-3847 UL FILE # E215457	PROJECT: PP3040	REV.	DATE	CHANGED BY	NOTES
	TITLE: PP3040 CONTACTOR PANEL				
	DATE: 9/8/10 SCALE: NTS				
	DRAWN BY: TD CHECKED BY: PA				

**CP-1-L**  
 SHEET

----- FIELD WIRING BY EMC

————— FACTORY WIRING BY EMC



PANEL TO BE BUILT & LISTED TO UL 508A STANDARD.

PANEL CP-1

UL 508A PANEL BUILT FOR  
TCS BASYS CONTROLS BY:  
ENERGY MANAGEMENT CONSULTANTS  
1550 LAFOLLETTE STREET  
FENNIMORE, WI 53809  
PH:(608) 822-3550 FAX: (608) 822-3847  
UL FILE # E215457

PROJECT: PP3040  
TITLE: PP3040 CONTRACTOR PANEL  
DATE: 9/8/10 SCALE: NTS  
DRAWN BY: TD CHECKED BY: PA

REV.	DATE	CHANGED BY	NOTES

**CP-1-W**  
SHEET