

Model#: **EM-24A2**

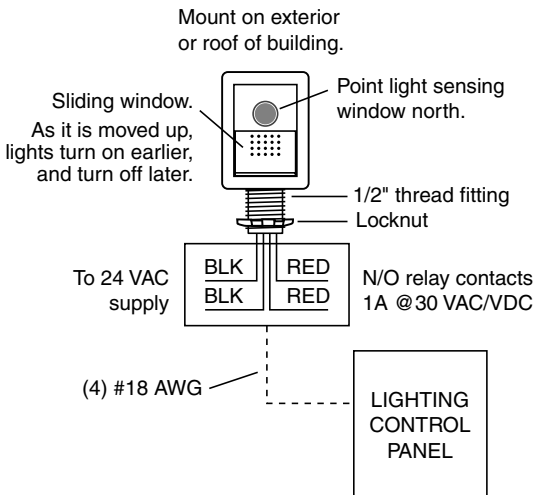
Exterior Photocell

Installation Instructions

The EM-24A2 is a low voltage photocell used for operating exterior lighting. It is used for signaling light levels to Watt Stopper lighting control panels that are controlling exterior lighting.

- Typically the EM-24A2 is mounted on the exterior or roof of a building with the light level window facing north.
- The EM-24A2's 1/2" threaded male conduit base can be connected to conduit fittings or to junction boxes with the supplied locknut.
- Connect 24 VAC to the two black wires. Normally, this power is supplied from the lighting control panel the photocell serves.
- The relay contact red wires are connected to the lighting control panel or to a low voltage controlled load.

Mounting and Wiring



Technical Support:

1(800)879-8585 1(972)578-1699

01052r1 4/00