



## PC Series Carbon Dioxide Sensors

### Description

The PC Series carbon dioxide sensors are designed to monitor carbon dioxide levels in rooms and ducts.

#### The PC Series features:

- 4 to 20 mA and 0 to 10 VDC outputs available simultaneously
- Programmable relay output
- Optional LCD display
- Wall mount and duct aspiration versions
- 0 to 2,000 ppm CO<sub>2</sub> factory default range
- Mounting plate with terminal block for quick and easy installation
- ABC Logic™ self calibration system eliminates the need for manual calibration when indoor CO<sub>2</sub> level drops to outside levels during unoccupied periods.

### Specifications

#### General

- Range:** 0 to 2,000 ppm factory default, adjustable to 10,000 ppm with PC1104 software kit  
**Accuracy:** +/- 75 ppm or 7% whichever is greater  
**Response time:** < 1 minute (0 to 90% FS)  
**Warm up time:** <2 minutes @77°F (25°C)  
**Guarantee:** 5 year calibration guarantee

#### Environmental

- Operating temperature:** 60 to 90°F (15 to 32°C)  
**Operating humidity:** 0 to 95% RH, non-condensing  
**Storage temperature:** -40 to 158°F (-40 to 70°C)

#### Electrical

- Supply voltage:** 18 to 30 VAC RMS, 50/60 Hz half-wave rectified; 18 to 42 VDC polarity protected  
1.75 VA max. average power, 2.75 VA peak power  
**Analog output:** 4 to 20 mA (500Ω max. load)  
0 to 10 VDC (100Ω output impedance)  
both outputs available simultaneously  
**Relay output:** N.O. or N.C.; Form C, 2A@24 VAC or VDC, adjustable setpoint

Specifications subject to change without notice.

# Ordering Information

Part No.	Description
PC1001	Carbon dioxide sensor, wall mount, no display, white
PC1002	Carbon dioxide sensor, wall mount, with display, white

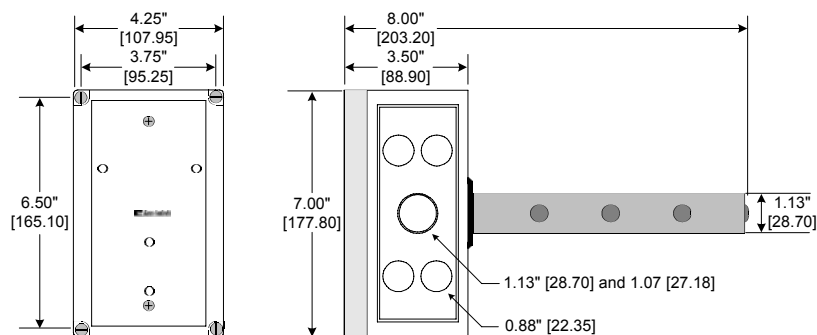
## PC Series Accessories

PC1101	Hand-held carbon dioxide and temperature monitor
PC1102	Duct aspiration enclosure (for use with all wall mount sensors)
PC1103	Calibration kit for PC Series sensors
PC1104	Calibration and programming PC software Windows 95/98, 2000, NT (required to adjust output settings on all non-display models)
PC1105	Outside air enclosure (for use with all wall mount sensors)

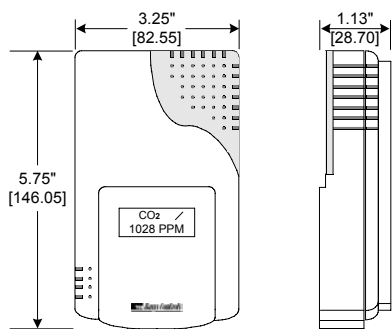
# Dimensions

Note: inches [mm]

## PC1102



## PC1001, PC1002



## PC1105

