



CP Series

Power Supplies

Description

The CP series is designed as power supplies for TCS/Basys controllers and other applications. The CP1028 accepts 115 or 230 VAC and provides 24 VDC on the TCS/Basys bus line, as well as externally. The CP1028 is fused at 2 amps.

The CP1030 accepts 24 VAC and converts a regulated 1.2 to 27 VDC adjustable output. Half-wave or full-wave rectification is jumper selectable. The CP1030 is mounted on snap track for quick and easy installation.

Specifications

General

Operating temperature: 41 to 104°F (5 to 40°C)
Operating humidity: 0 to 95% RH, non-condensing
Startup temperature: 14 to 140°F (-10 to 60°C)

Electrical

Input voltage:

CP1028: 115/230 VAC, 50/60 Hz
CP1030: 24 VAC, 50/60 Hz

Output voltage:

CP1028: 24 VDC unregulated @ 1000 mA
CP1030: 1.2 to 27 VDC regulated @ 1000 mA

Over current protection:

CP1028: 2 A fuse

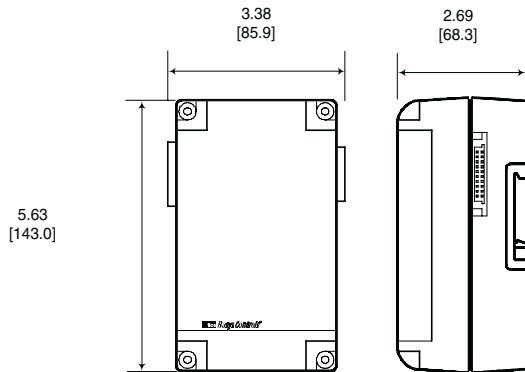
Ordering Information

Part #	Description
CP1028	Power supply module, 115/230 VAC input, unregulated 24 VDC output, general purpose mount
CP1030	Power supply module, 24 VAC input, regulated 1.2 to 27 VDC output, snap track mount

Dimensions

Note: inches [mm]

Power Supply Module



Power Supply Module

