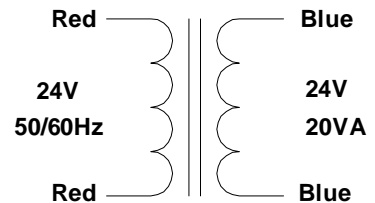
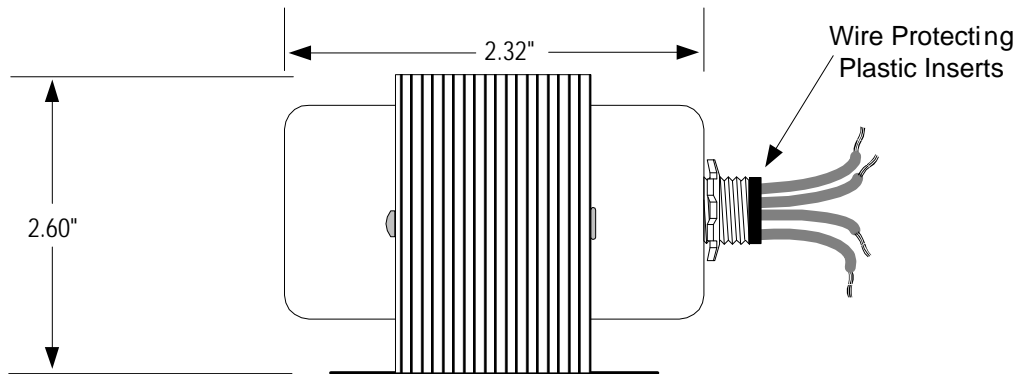
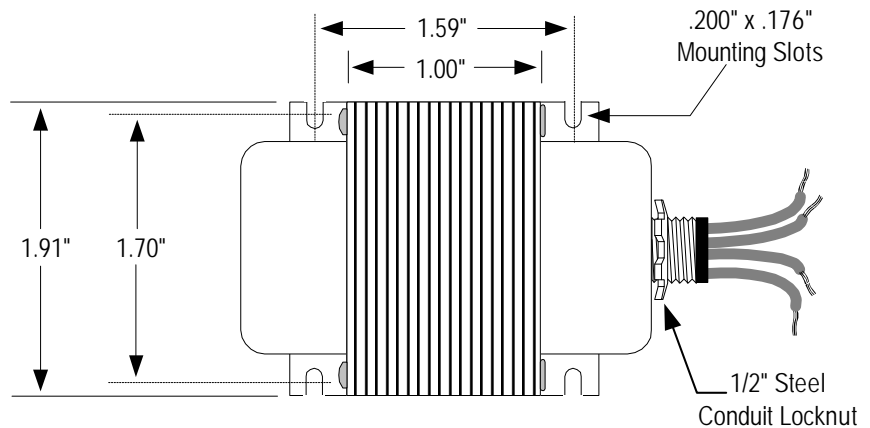


Catalog Number
LE10473



Specifications

Input: 24Vac
Output: 24Vac
VA Rating: 20VA
Frequency: 50/60Hz
Circuit Protection: Internally Protected
Configuration: Enclosed Split Bobbin Design with Steel End Bells
Mounting(s): Foot Mounts & Threaded Flange Hub
Primary Connections: UL1015 Insulated 18AWG Lead Wires, 8" Long, .375" ends Stripped & Tinned
Secondary Connections: UL1015 Insulated 14AWG Lead Wires, 8" Long, .375" ends Stripped & Tinned
Insulation System: UL 1446 Recognized Component Class B Insulation System PG125 (130°C, 266° F)
Agency Approvals: UL 506 Listed for USA & Canada. General Purpose Isolation Transformer



Product of Lectro Components, Inc.
 154 Easy St., Carol Stream, IL 60188
 Tel 800-323-2282 Fax 630-690-0563

Core Components by Lectro Components, Inc.

FILENAME	DESCRIPTION	DRAWN BY	PAGE	REVISED	REV.
024-024-020-TF	Transformer	CDC	1 OF 1	02/05/04	B

NOTE

All Dimensions are Ref. Only

TR20VA001
Transformer 20 VA, 120 to 24 Vac, Foot and Single Threaded Hub Mount

Functional Devices, Inc. A600C 2005

UL US LISTED CLASS II

CE

VA Rating: 20
Frequency: 50/60 Hz
Mounting: Foot & Single Threaded Hub
Over Current Protection: Inherently Limited
Dimensions: 2.600" x 1.890" x 2.130"
 (w/ .500" NPT Hub)
Wire Length: 8" Typical w/ .5" Strip
Operating Temperature: -30 to 140° F
MTBF: 100,000 Hours @ 77° F
Construction: Split-Bobbin
Weight: 1.35 lbs.
Approvals: Class II UL1585 Listed, US / Canada
 CE Approved

Dimensions: .910", 1.625", 1.540", 2.130", 1.890", 2.600", .175", .200", 8.00", .50"

Wht - 120 Vac
 PRIMARY WIRES
 Blk - Comm

Yel/Wht - 24 Vac
 SECONDARY WIRES
 Yel - Comm

Notes:

TRANSFORMER PHASE MARKING
 The primary black wire is in phase with the secondary yellow wire with the white stripe.
 The primary white wire is in phase with the secondary yellow wire.

Wiring Diagram for Grounded Secondary

FIGURE 1

120 Vac - White
 Neutral - Black

120 - 24 Vac Transformer

Yellow
 Yellow / White Stripe
 Ground

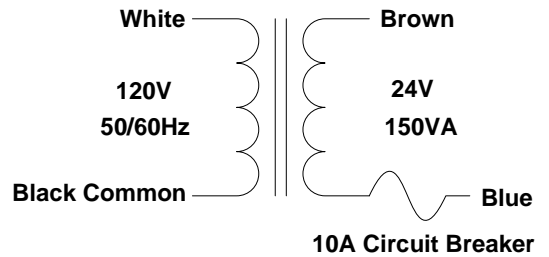
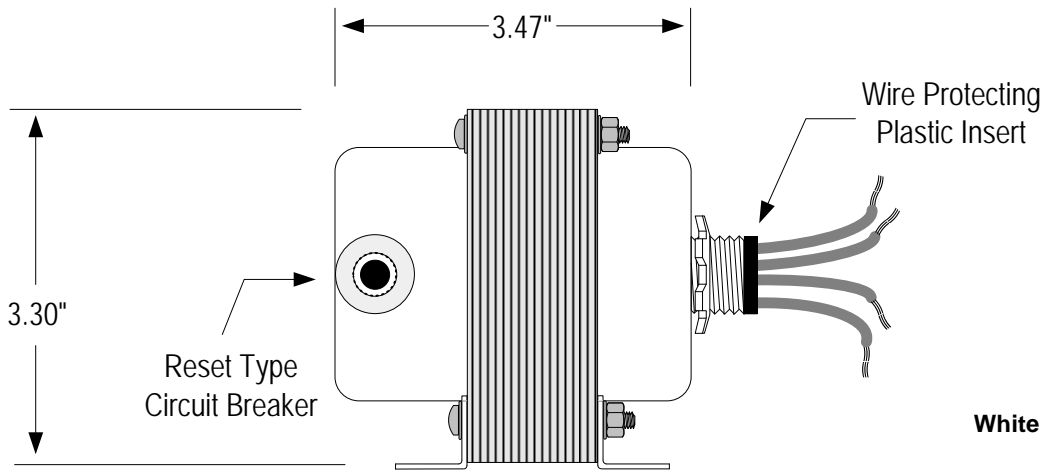
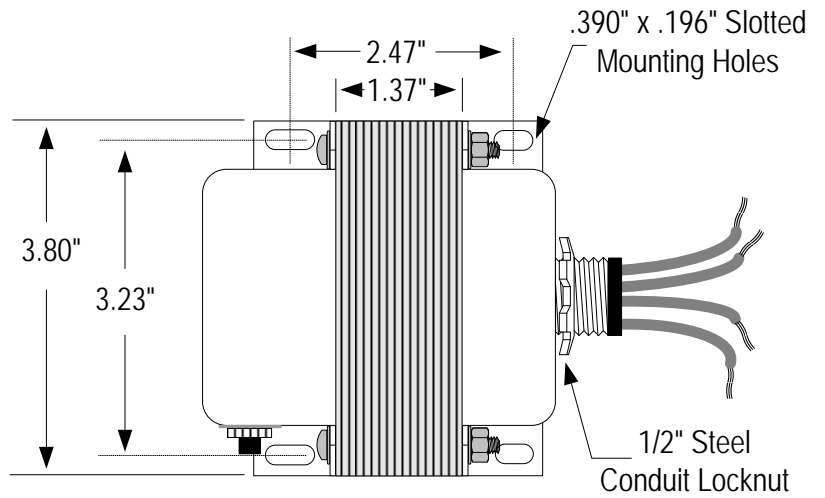
FIGURE 2

120 Vac - Black
 Neutral - White

120 - 24 Vac Transformer

Yellow / White Stripe
 Yellow
 Ground

Catalog Number
LE12400



Specifications

- Input:** 120Vac
- Output:** 24Vac
- VA Rating:** 150VA
- Frequency:** 50/60Hz
- Circuit Protection:** Manual Reset Circuit Breaker
- Configuration:** Split Bobbin Design with Steel End Bells
- Mounting(s):** Slotted Foot Mounts & Threaded Flange Hub
- Primary Connections:** UL 1015 Insulated 18AWG Lead Wires, 9.5" Long, .375" ends Stripped & Tinned
- Secondary Connectons:** UL 1015 Insulated 18AWG Lead Wires, 9.5" Long, .375" ends Stripped & Tinned
- Insulation System:** UL 1446 Recognized Component Class B Insulation System PG125 (130°C, 266°F)
- Agency Approvals:** UL 506 Recognized for USA & Canada. General Purpose Transformer



Product of Lectro Components, Inc.
154 Easy St., Carol Stream, IL 60188
Tel 800-323-2282 Fax 630-690-0563

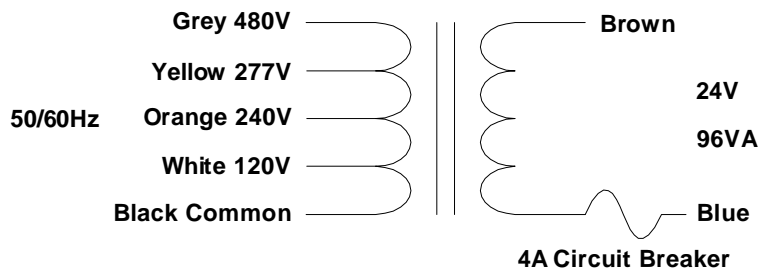
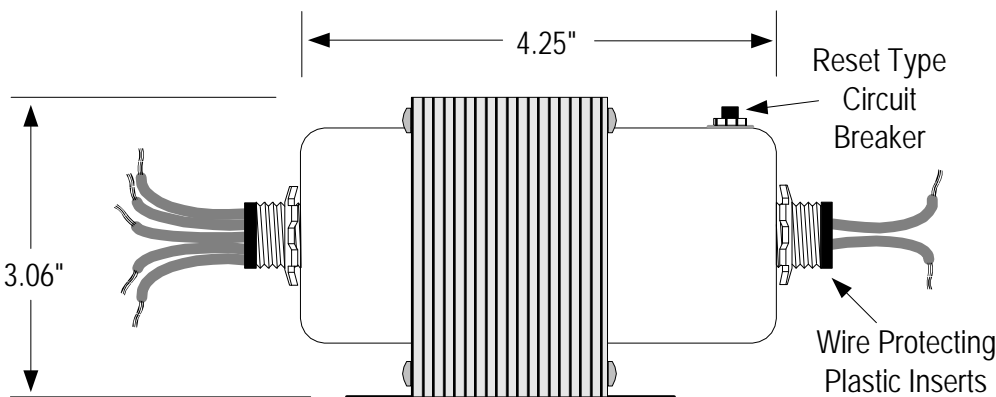
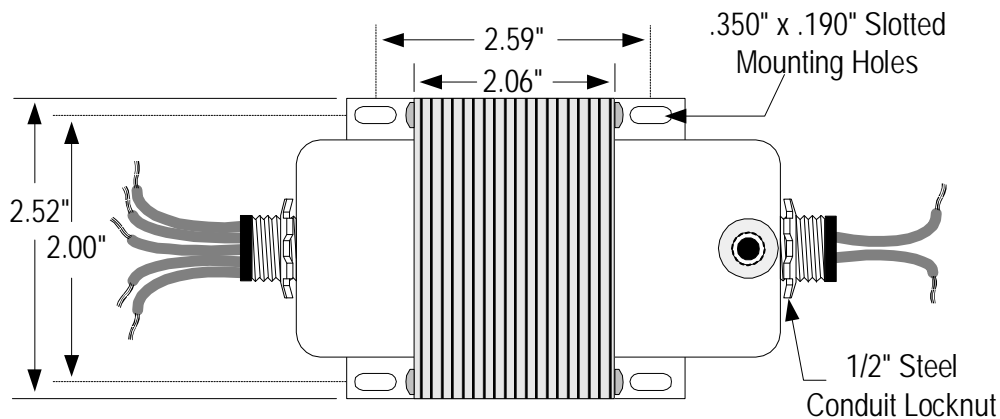
Core Components by Lectro Components, Inc.

FILENAME	DESCRIPTION	DRAWN BY	PAGE	REVISED	REV.
120-024-150-1TF-CB	Transformer	CDC	1 OF 1	11/08/04	A

NOTE

All Dimensions are Ref. Only

Catalog Number
LE17000



Specifications

Input: 120/240/277/480Vac
Output: 24Vac
VA Rating: 96VA
Frequency: 50/60Hz
Circuit Protection: Manual Reset Circuit Breaker
Configuration: Split Bobbin Design with Steel End Bel Is
Mounting(s): Slotted Foot Mounts & Threaded Flange Hubs
Primary Connections: UL 1015 Insulated 18AWG Lead Wires, 8" Long, .375" ends Stripped & Tinned
Secondary Connectons: UL 1015 Insulated 18AWG Lead Wires, 8" Long, .375" ends Stripped & Tinned
Insulation System: UL 1446 Recognized Component Class B Insulation System PG125 (130°C, 266°F)
Agency Approvals: UL 1585 Listed for USA & Canada. Class 2, Class 3 Transformer, CSA Certified.



Product of Lectro Components, Inc.
 154 Easy St., Carol Stream, IL 60188
 Tel 800-323-2282 Fax 630-690-0563

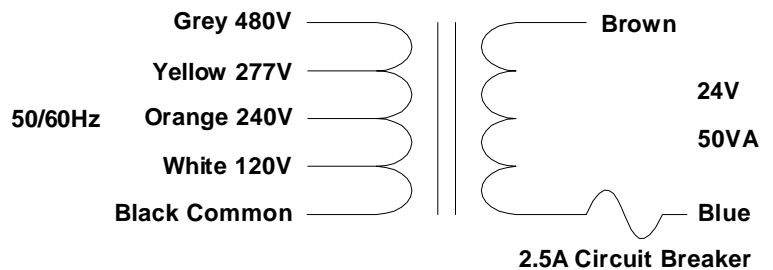
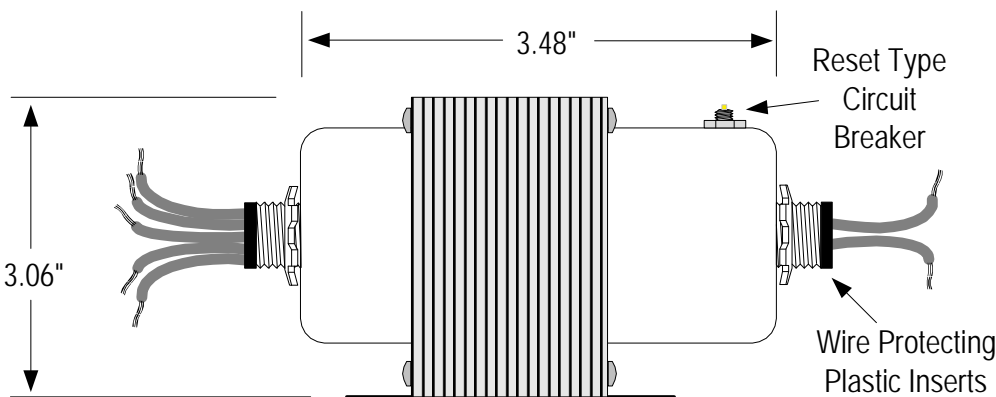
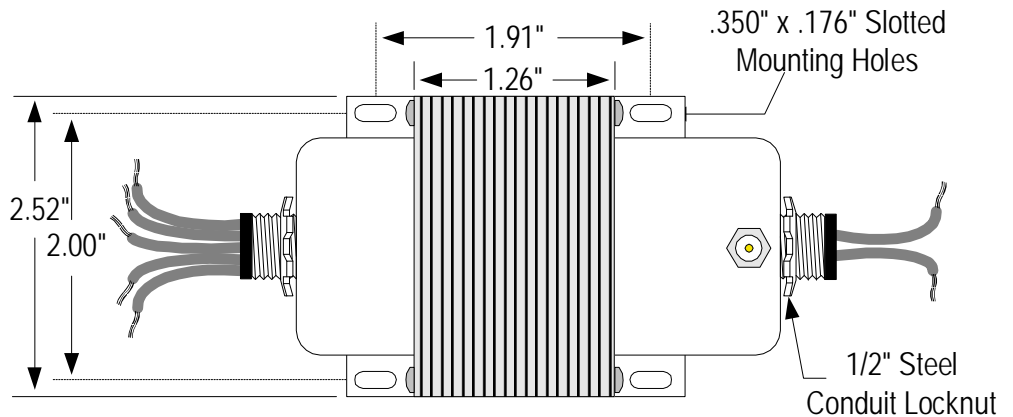
Core Components by Lectro Components, Inc.

FILENAME	DESCRIPTION	DRAWN BY	PAGE	REVISED	REV.
MUC-024-100-2TF-CB	Transformer	CDC	1 OF 1	05/07/04	B

NOTE

All Dimensions are Ref. Only

Catalog Number
LE16000



Specifications

Input: 120/240/277/480Vac
Output: 24Vac
VA Rating: 50VA
Frequency: 50/60Hz
Circuit Protection: Manual Reset Circuit Breaker
Configuration: Split Bobbin Design with Steel End Bel Is
Mounting(s): Slotted Foot Mounts & Threaded Flange Hubs
Primary Connections: UL 1015 Insulated 18AWG Lead Wires, 8" Long, .375" ends Stripped & Tinned
Secondary Connectons: UL 1015 Insulated 18AWG Lead Wires, 8" Long, .375" ends Stripped & Tinned
Insulation System: UL 1446 Recognized Component Class B Insulation System PG125 (130°C, 266°F)
Agency Approvals: UL 1585 Listed for USA & Canada. Class 2, Class 3 Transformer



Product of Lectro Components, Inc.
 154 Easy St., Carol Stream, IL 60188
 Tel 800-323-2282 Fax 630-690-0563

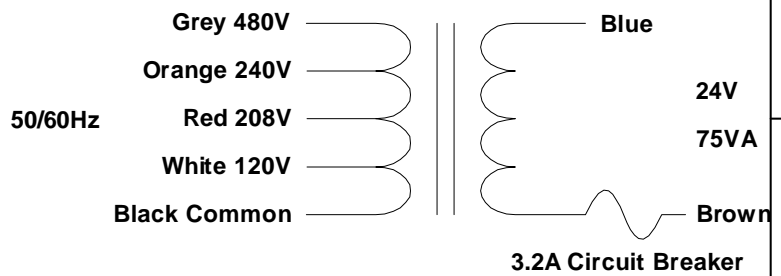
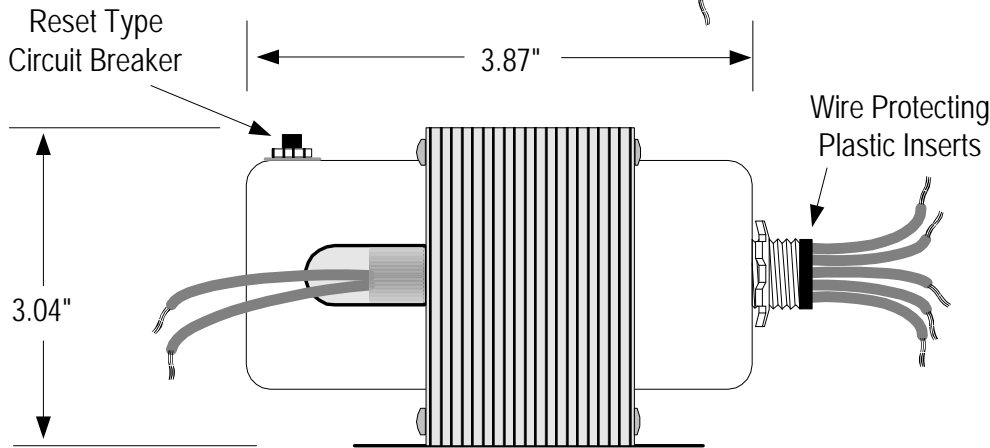
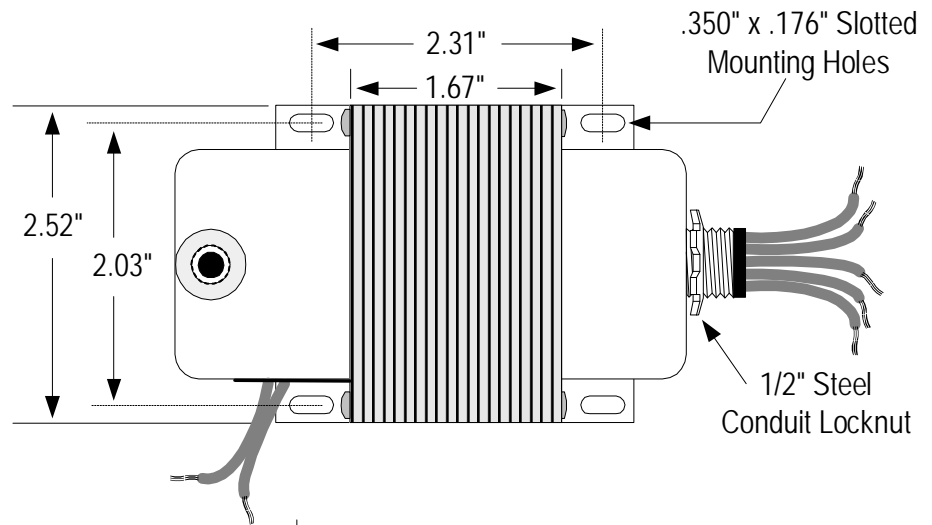
Core Components by Lectro Components, Inc.

FILENAME	DESCRIPTION	DRAWN BY	PAGE	REVISED	REV.
MUC-024-050-2TF-CB	Transformer	CDC	1 OF 1	05/07/04	B

NOTE

All Dimensions are Ref. Only

Catalog Number
LE15010



Specifications

Input: 120/208/240/480Vac
Output: 24Vac
VA Rating: 75VA
Frequency: 50/60Hz
Circuit Protection: Manual Reset Circuit Breaker
Configuration: Split Bobbin Design with Steel End Bel Is
Mounting(s): Slotted Foot Mounts & Threaded Flange Hub
Primary Connections: UL 1015 Insulated 18AWG Lead Wires, 9" Long, .375" ends Stripped & Tinned
Secondary Connectons: UL 1015 Insulated 18AWG Lead Wires, 9" Long, .375" ends Stripped & Tinned
Insulation System: UL 1446 Recognized Component Class B Insulation System PG125 (130°C, 266°F)
Agency Approvals: UL 1585 Listed for USA & Canada. Class 2, Class 3 Transformer, CSA Certified.



Product of Lectro Components, Inc.
 154 Easy St., Carol Stream, IL 60188
 Tel 800-323-2282 Fax 630-690-0563

Core Components by Lectro Components, Inc.

FILENAME	DESCRIPTION	DRAWN BY	PAGE	REVISED	REV.
MUA-024-075-TFSO-CB	Transformer	CDC	1 OF 1	05/07/04	B

NOTE

All Dimensions are Ref. Only

8

7

6

5

4

3

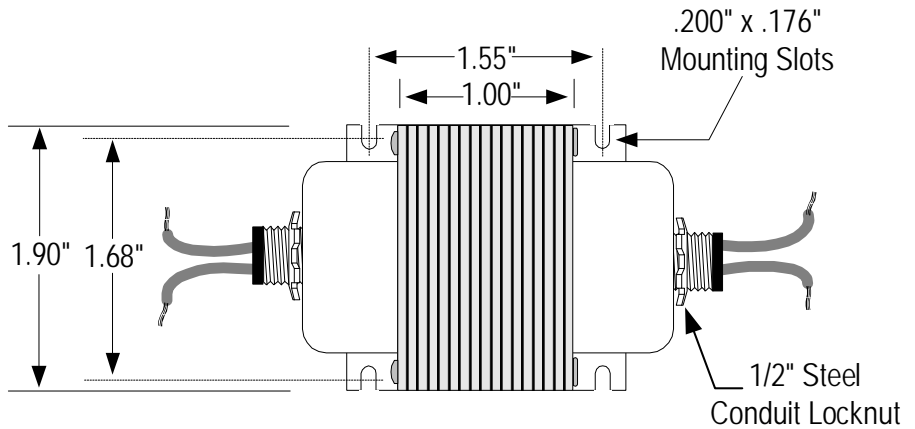
2

1

Catalog Number
LE11177

H

H



G

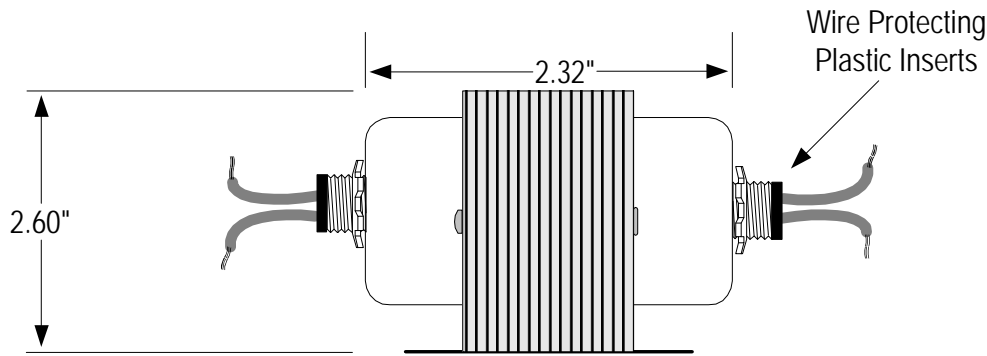
G

F

F

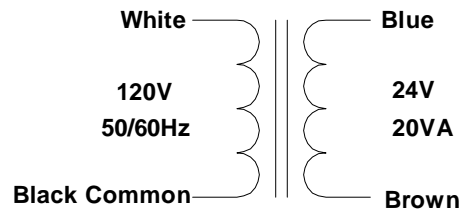
E

E



D

D



C

C

Specifications

- Input:** 120Vac
- Output:** 24Vac
- VA Rating:** 20VA
- Frequency:** 50/60Hz
- Circuit Protection:** Internally Protected
- Configuration:** Enclosed Split Bobbin Design with Steel End Bel Is
- Mounting(s):** Slotted Foot Mounts & Threaded Flange Hubs
- Primary Connections:** UL 1015 Insulated 18AWG Lead Wires, 7.5" Long, .375" ends Stripped & Tinned
- Secondary Connectors:** UL 1015 Insulated 18AWG Lead Wires, 7.5" Long, .375" ends Stripped & Tinned
- Insulation System:** UL 1446 Recognized Component Class B Insulation System PG125 (130°C, 266°F)
- Agency Approvals:** UL 1585 Listed for USA & Canada. Class 2, Class 3 Transformer

B

B

A

A



Product of Lectro Components, Inc.
154 Easy St., Carol Stream, IL 60188
Tel 800-323-2282 Fax 630-690-0563

Core Components by Lectro Components, Inc.

FILENAME	DESCRIPTION	DRAWN BY	PAGE	REVISED	REV.
120-024-020-2TF	Transformer	CDC	1 OF 1	03/30/04	A

NOTE

All Dimensions are Ref. Only

8

7

6

5

4

3

2

1

8

7

6

5

4

3

2

1

Catalog Number

LE11200

H

H

G

G

F

F

E

E

D

D

C

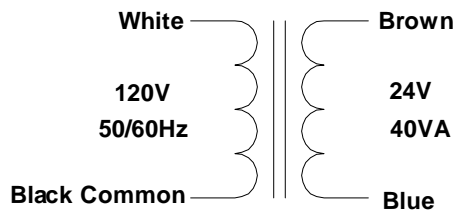
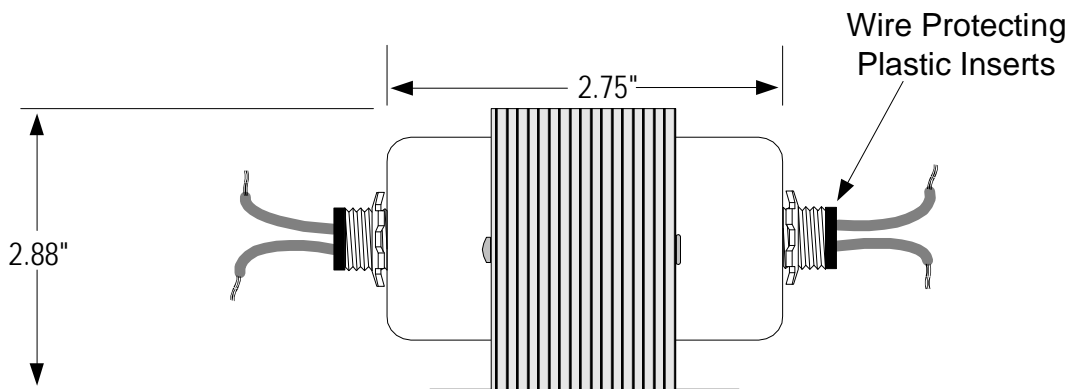
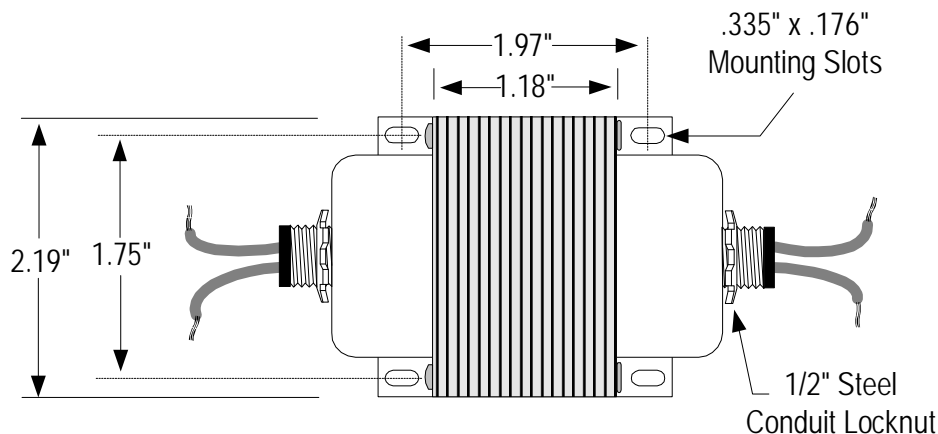
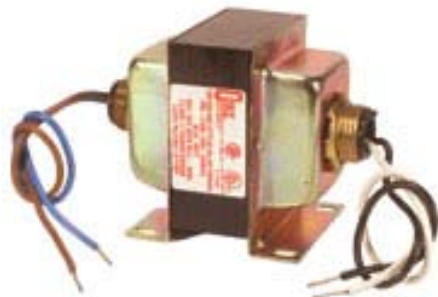
C

B

B

A

A



Specifications

- Input:** 120Vac
- Output:** 24Vac
- VA Rating:** 40VA
- Frequency:** 50/60Hz
- Circuit Protection:** Internally Protected
- Configuration:** Enclosed Split Bobbin Design with Steel End Bells
- Mounting(s):** Slotted Foot Mounts & Threaded Flange Hubs
- Primary Connections:** UL 1015 Insulated 18AWG Lead Wires, 7.5" Long, .375" ends Stripped & Tinned
- Secondary Connectors:** UL 1015 Insulated 18AWG Lead Wires, 7.5" Long, .375" ends Stripped & Tinned
- Insulation System:** UL 1446 Recognized Component Class B Insulation System PG125 (130°C, 266°F)
- Agency Approvals:** UL 1585 Listed for USA & Canada. Class 2, Class 3 Transformer, CS A Certified.



Product of Lectro Components, Inc.
 154 Easy St., Carol Stream, IL 60188
 Tel 800-323-2282 Fax 630-690-0563

Core Components by Lectro Components, Inc.

FILENAME	DESCRIPTION	DRAWN BY	PAGE	REVISED	REV.
120-024-040-2TF	Transformer	CDC	1 OF 1	03/30/04	A

NOTE

All Dimensions are Ref. Only

8

7

6

5

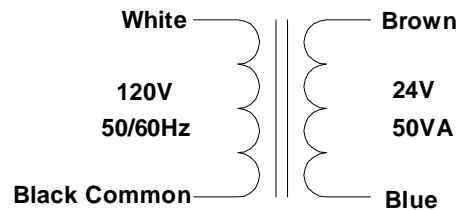
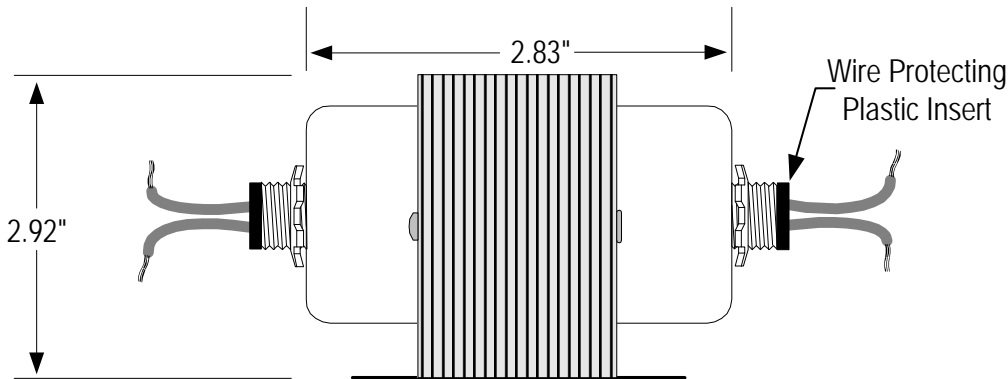
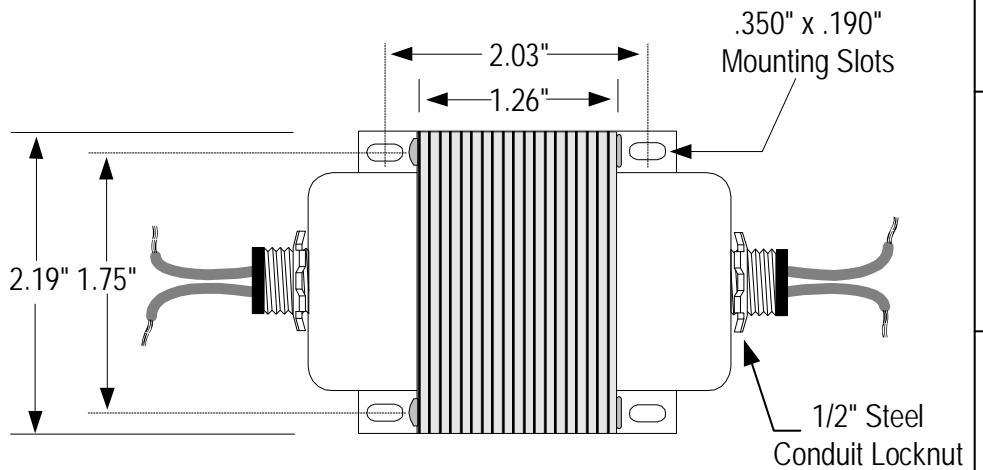
4

3

2

1

Catalog Number
LE11750



Specifications

- Input:** 120Vac
- Output:** 24Vac
- VA Rating:** 50VA
- Frequency:** 50/60Hz
- Circuit Protection:** Internally Protected
- Configuration:** Split Bobbin Design with Steel End Bel Is
- Mounting(s):** Slotted Foot Mounts & Threaded Flange Hubs
- Primary Connections:** UL 1015 Insulated 18AWG Lead Wires, 7.5" Long, .375" ends Stripped & Tinned
- Secondary Connectors:** UL 1015 Insulated 18AWG Lead Wires, 7.5" Long, .375" ends Stripped & Tinned
- Insulation System:** UL 1446 Recognized Component Class B Insulation System PG125 (130°C, 266°F)
- Agency Approvals:** UL 1585 Listed for USA & Canada. Class 2, Class 3 Transformer, CSA Certified.

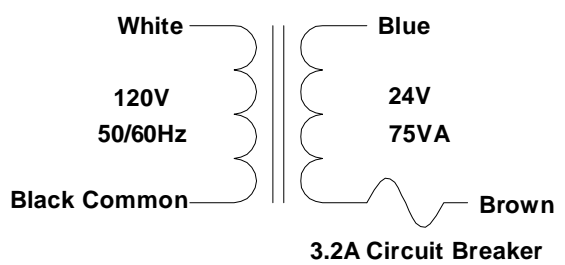
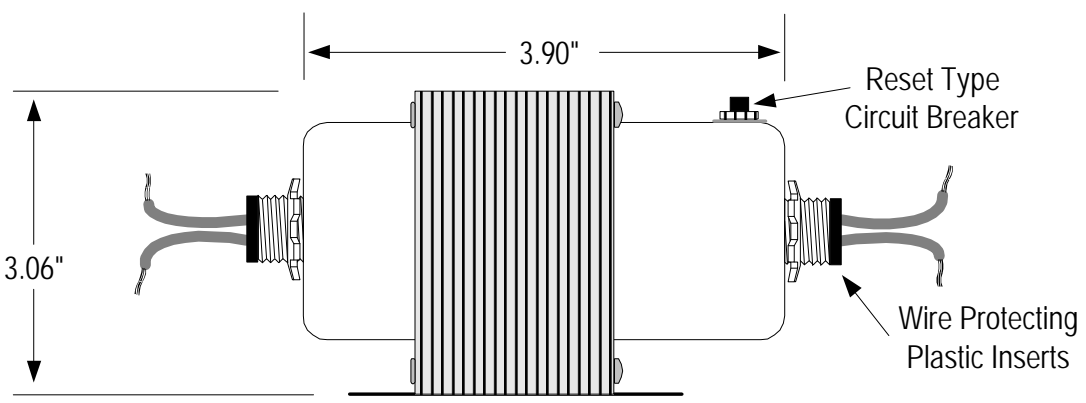
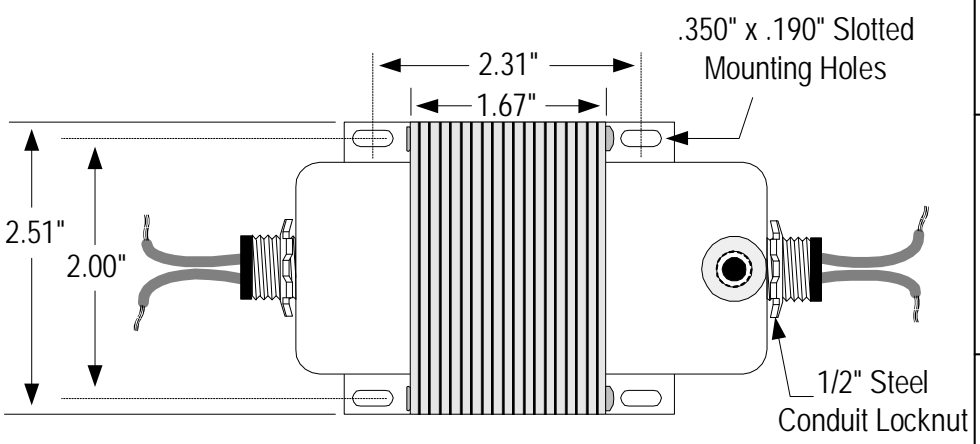


Product of Lectro Components, Inc.
154 Easy St., Carol Stream, IL 60188
Tel 800-323-2282 Fax 630-690-0563

Core Components by Lectro Components, Inc.

FILENAME	DESCRIPTION	DRAWN BY	PAGE	REVISED	REV.
120-024-050-2TF	Transformer	CDC	1 OF 1	05/07/04	A
NOTE					
All Dimensions are Ref. Only					

Catalog Number
LE11800



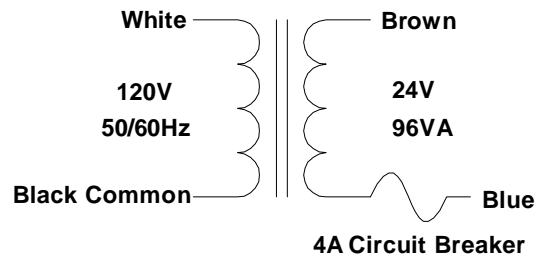
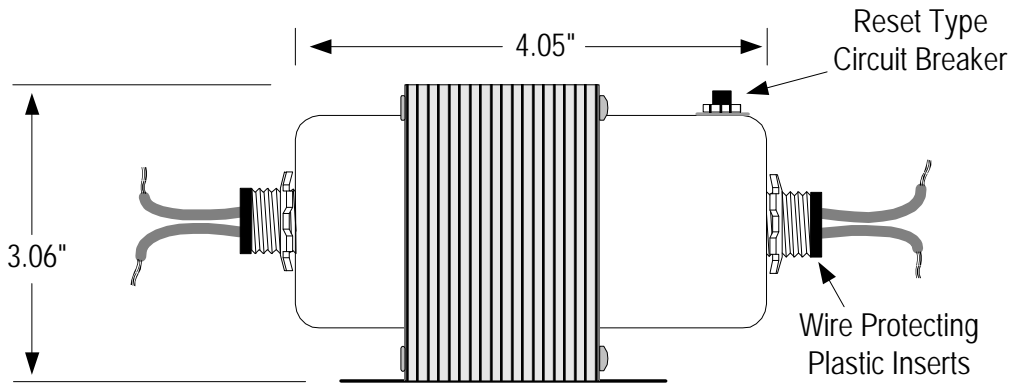
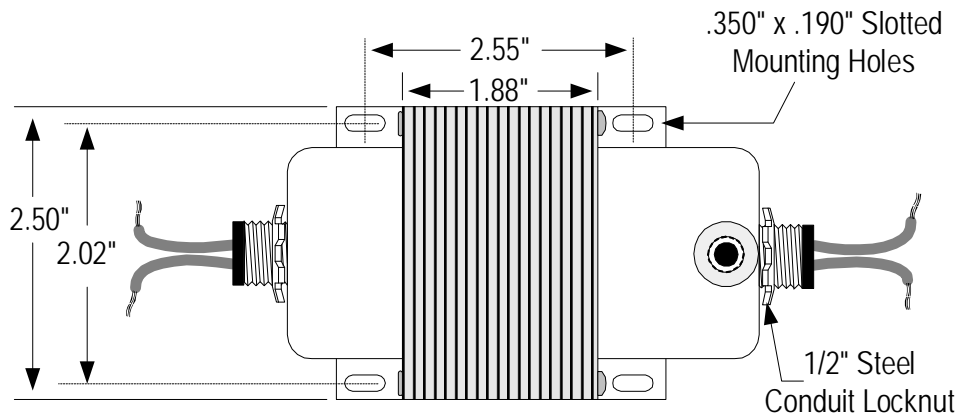
Specifications

Input: 120Vac
Output: 24Vac
VA Rating: 75VA
Frequency: 50/60Hz
Circuit Protection: Manual Reset
Configuration: Split Bobbin Design with Steel End Bel Is
Mounting(s): Slotted Foot Mounts & Threaded Flange Hubs
Primary Connections: UL 1015 Insulated 18AWG Lead Wires, 9.5" Long, .375" ends Stripped & Tinned
Secondary Connectons: UL 1015 Insulated 18AWG Lead Wires, 9.5" Long, .375" ends Stripped & Tinned
Insulation System: UL 1446 Recognized Component Class B Insulation System PG125 (130°C, 266°F)
Agency Approvals: UL 1585 Listed for USA & Canada. Class 2, Class 3 Transformer, CSA Certified.

CORE COMPONENTS
 Product of Lectro Components, Inc.
 154 Easy St., Carol Stream, IL 60188
 Tel 800-323-2282 Fax 630-690-0563

Core Components by Lectro Components, Inc.					
FILENAME	DESCRIPTION	DRAWN BY	PAGE	REVISED	REV.
120-024-075-2TF-CB	Transformer	CDC	1 OF 1	05/07/04	A
NOTE					
All Dimensions are Ref. Only					

Catalog Number
LE12000



Specifications

Input: 120Vac
Output: 24Vac
VA Rating: 96VA
Frequency: 50/60Hz
Circuit Protection: Manual Reset Circuit Breaker
Configuration: Split Bobbin Design with Steel End Bel Is
Mounting(s): Slotted Foot Mounts & Threaded Flange Hubs
Primary Connections: UL 1015 Insulated 18AWG Lead Wires, 9" Long, .375" ends Stripped & Tinned
Secondary Connectors: UL 1015 Insulated 18AWG Lead Wires, 9" Long, .375" ends Stripped & Tinned
Insulation System: UL 1446 Recognized Component Class B Insulation System PG125 (130°C, 266°F)
Agency Approvals: UL 1585 Listed for USA & Canada. Class 2, Class 3 Transformer, CSA Certified.



Product of Lectro Components, Inc.
 154 Easy St., Carol Stream, IL 60188
 Tel 800-323-2282 Fax 630-690-0563

Core Components by Lectro Components, Inc.

FILENAME	DESCRIPTION	DRAWN BY	PAGE	REVISED	REV.
120-024-100-2TF-CB	Transformer	CDC	1 OF 1	06/03/04	C

NOTE

All Dimensions are Ref. Only

8

7

6

5

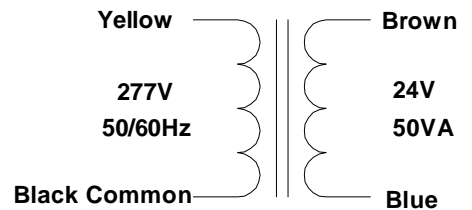
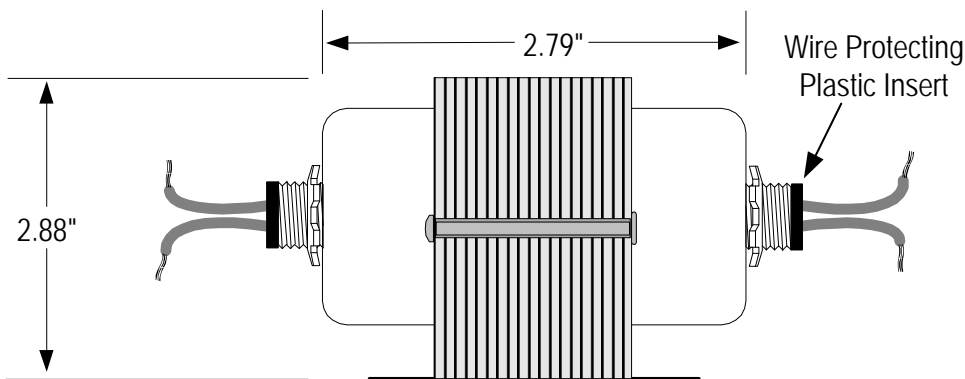
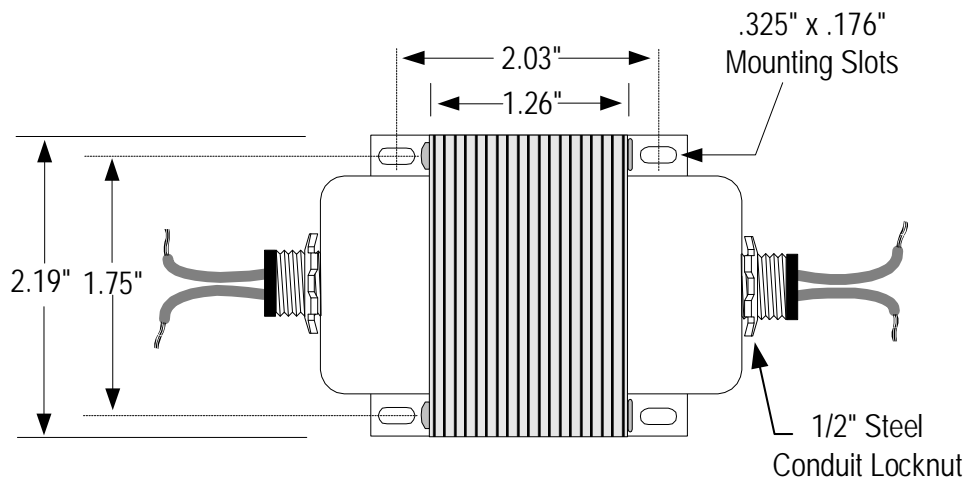
4

3

2

1

Catalog Number
LE13050



Specifications

Input: 277Vac
Output: 24Vac
VA Rating: 50VA
Frequency: 50/60Hz
Circuit Protection: Internally Protected
Configuration: Split Bobbin Design with Steel End Bel Is
Mounting(s): Slotted Foot Mounts & Threaded Flange Hubs
Primary Connections: UL 1015 Insulated 18AWG Lead Wires, 7.5" Long, .375" ends Stripped & Tinned
Secondary Connectons: UL 1015 Insulated 18AWG Lead Wires, 7.5" Long, .375" ends Stripped & Tinned
Insulation System: UL 1446 Recognized Component Class B Insulation System PG125 (130°C, 266°F)
Agency Approvals: UL 1585 Listed for USA & Canada. Class 2, Class 3 Transformer



Product of Lectro Components, Inc.
154 Easy St., Carol Stream, IL 60188
Tel 800-323-2282 Fax 630-690-0563

Core Components by Lectro Components, Inc.

FILENAME	DESCRIPTION	DRAWN BY	PAGE	REVISED	REV.
277-024-050-2TF	Transformer	CDC	1 OF 1	05/07/04	A

NOTE

All Dimensions are Ref. Only

8

7

6

5

4

3

2

1