

Sequence of Operation

Cool mode:

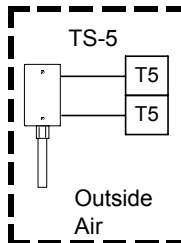
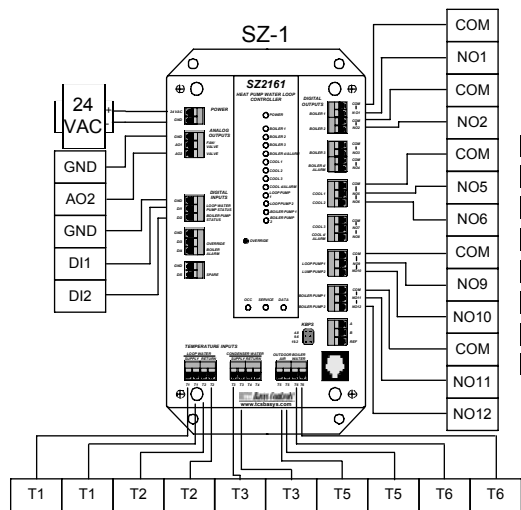
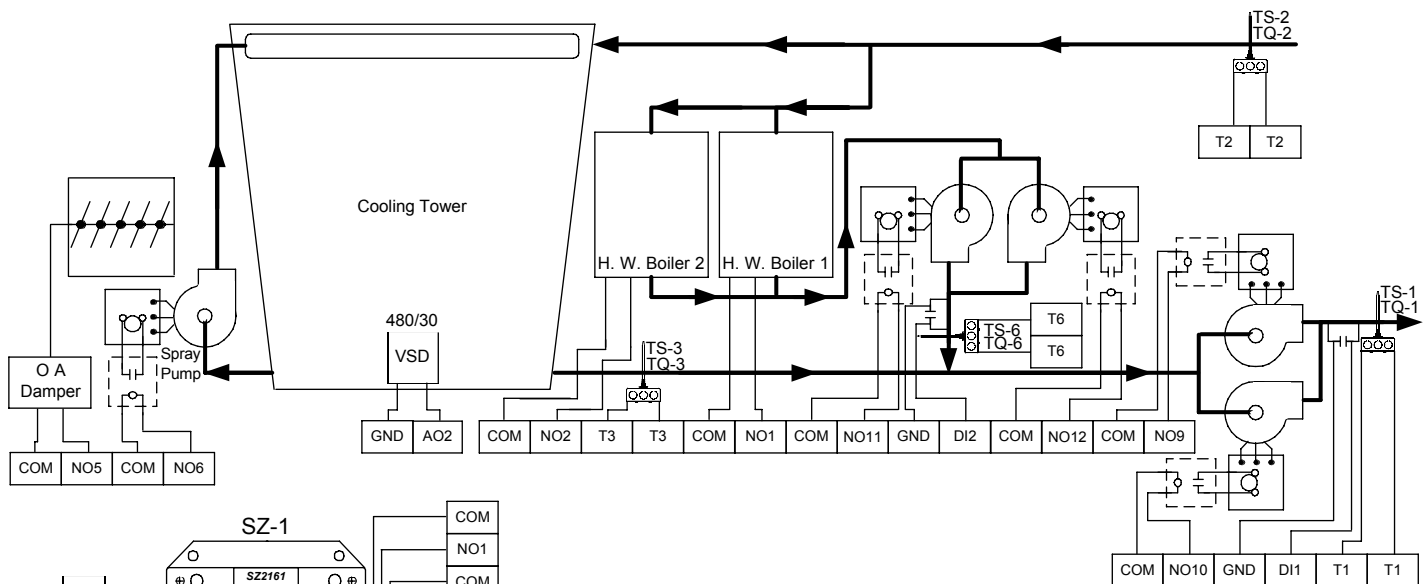
The SZ2161 will maintain a constant condenser water temperature by opening an outdoor damper, turning on a spray pump and modulating a VSD.

Heat mode:

The SZ2161 will maintain a constant boiler supply water temperature by cycling the two boilers.

Once the water temperature is controlled to the correct temperature the SZ2161 will control Boiler Pump 1 & 2 and Loop Pump 1 & 2 to maintain the desired water Loop Supply Temperature. Each pair of pumps will be run in a lead/lag configuration, if one of the two pumps in each pair would fail the other will take over automatically.

Heat Pump Water Loop



equipment schedule			
Item	Quantity	Mod. Number	Description
SZ-1	1	SZ2161	HPWL Controller
TS-1	1	TS1002	Temp. Sensor
TQ-1	1	TQ1110	8" Thermowell
TS-2	1	TS1002	Temp. Sensor
TQ-2	1	TQ1110	8" Thermowell
TS-3	1	TS1003	Temp. Sensor
TQ-3	1	TQ1110	8" Thermowell
TS-5	1	TS1003	Outdoor Sensor
TS-6	1	TS1002	Temp. Sensor
TQ-6	1	TQ1110	8" Thermowell