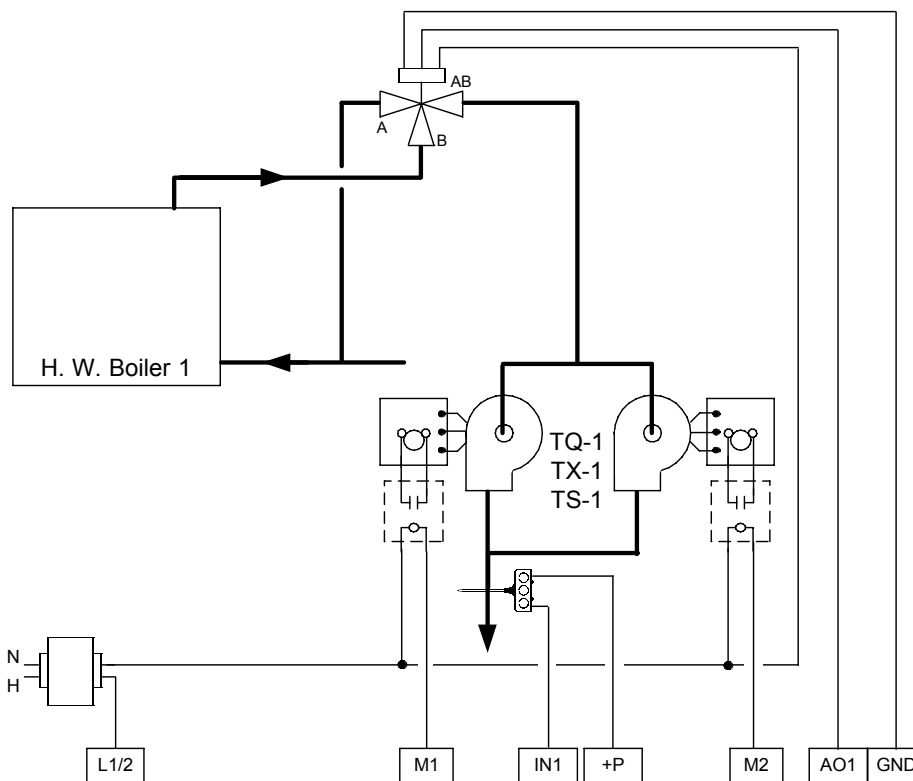


## Sequence of Operation

Outside air below 60 degrees. When outside air is below 60 degrees boilers 1 & 2 will be sequenced to maintain temperature as indicated by the outdoor reset (see schedule). Pumps P-1&2 are interlocked with their respective boiler. Main loop pump will be enabled when outside air temperature is below 60 degrees. Unoccupied mode-during unoccu-

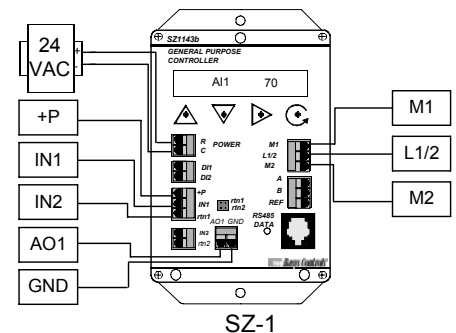
ried times the boilers will be reset to maintain a temperature of 150 degrees. The main loop pump P-3 will come on any time the outside air temperature is below 30 degrees. Fail safe - in the event of a control failure all equipment will operate under it's own control as long as power is available at the primary equipment.

## Boiler Control with Outdoor Air Reset



Hot Water Reset Schedule

| OA | HWT |
|----|-----|
| 0  | 180 |
| 60 | 120 |



| equipment schedule |          |             |                     |
|--------------------|----------|-------------|---------------------|
| Item               | Quantity | Mod. Number | Description         |
| SZ-1               | 1        | SZ1143b     | Controller          |
| TS-1               | 1        | TS1003      | Temperature Sensor  |
| TX-1               | 1        | TX1507      | Temperature Xmitter |
| TQ-1               | 1        | TQ1104      | 4" Thermowell       |
| TS-2               | 1        | TS1002      | Temperature Sensor  |
| TX-2               | 1        | TX1504      | Temperature Xmitter |

