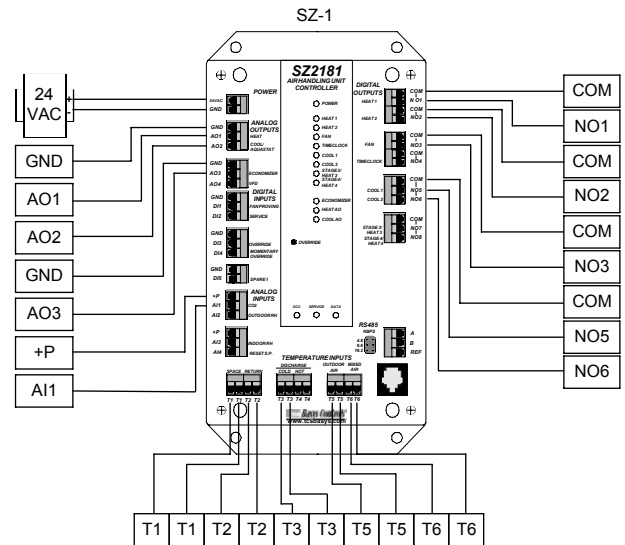
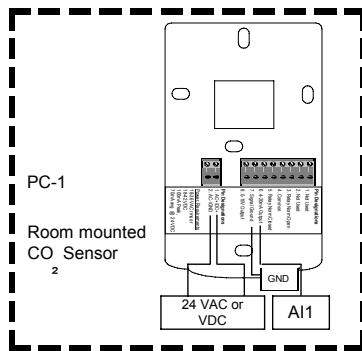
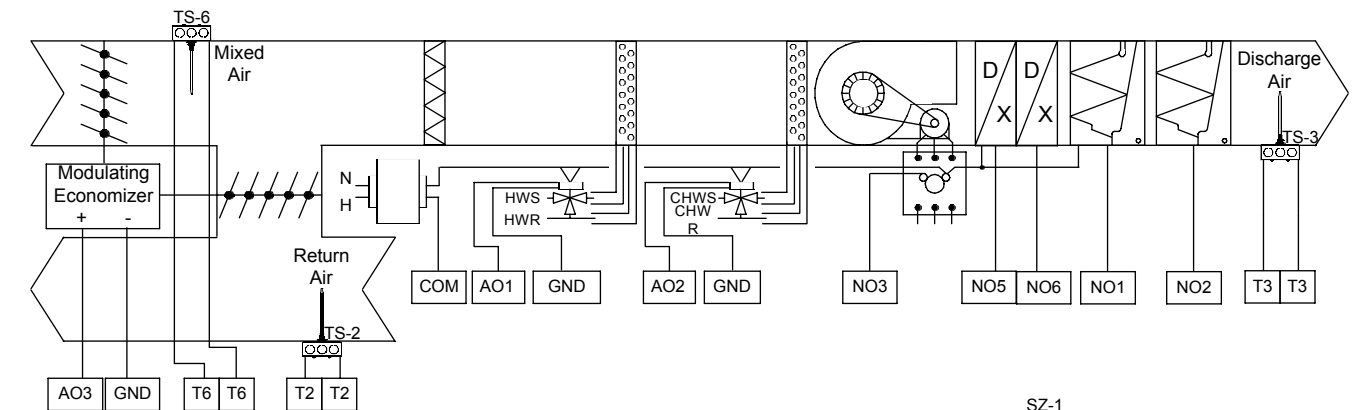


Sequence of Operation

Equipment Occupied mode-based on time of day. Controller SZ-1 will cycle equipment to maintain an adjustable setpoint. If there is a call to economize, controller SZ-1 shall output a signal to the economizer. If there is a call to modulate damper because of high CO₂ levels, controller SZ-1 will output a signal to the economizer.

AHU Control with Modulating Economizer and Carbon Dioxide Control



equipment schedule			
Item	Quantity	Mod. Number	Description
SZ-1	1	SZ2181	AHU Controller
TS-1	1	TS2000	Space Sensor
TS-2	1	TS1002	R.A. Sensor
TS-3	1	TS1002	D.A. Sensor
TS-5	1	TS1003	O.A. Sensor
TS-6	1	TS1002	M.A. Sensor
PC-1	1	PC1001	CO ₂ Sensor

