



TQ & QE Series

Temperature Sensor Mounting
Assemblies & Accessories

Description

The TQ series contains mounting and application assemblies for the TS and TX series temperature sensors and 4 to 20 mA temperature transmitters. The TQ series is designed to offer a fast and easy way to install TCS/Basys temperature sensors and transmitters.

The QE50 and QE51 are RTD simulators for calibrating TX series transmitters to non-standard spans.

Specifications

Model: TQ1001

Application: Room temperature

Description: Stainless steel plate

Material: 300 stainless steel **Rating:** UL

Model: TQ1100

Description: Chrome conduit box adapter

Material: Steel plate **Color:** Chrome finish

Model: TQ1101

Description: Plastic conduit box adapter

Material: Standard ABS plastic **Color:** Off white

Model: TQ1104, TQ1110

Application: Water temperature

Description: Thermowell

Material: Stainless steel **Rating:** 300 Series stainless steel

Model: QE01

Description: Capillary mounting clips

Material: Copper **Color:** Copper

Model: QE50

Description: 100Ω PtRTD Simulator

Accuracy: +/- 0.01%

Model: QE51

Description: 1000Ω PtRTD Simulator

Accuracy: +/- 0.01%

Specifications subject to change without notice.

Ordering Information

Part No. TQ Series Temperature Sensor Mounting Assemblies

TQ1001	Stainless steel plate
TQ1100	Chrome conduit box adapter
TQ1101	Plastic conduit box adapter
TQ1104	4" thermowell, stainless steel
TQ1110	8" thermowell, stainless steel
QE01	Capillary mounting clips (100/box)

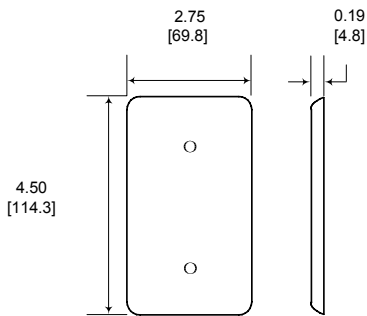
Part No. Platinum RTD Simulators

QE50	100 Ω PtRTD Simulator
QE51	1000 Ω PtRTD Simulator

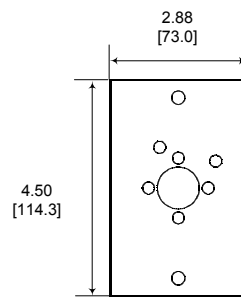
Dimensions

Note: inches [mm]

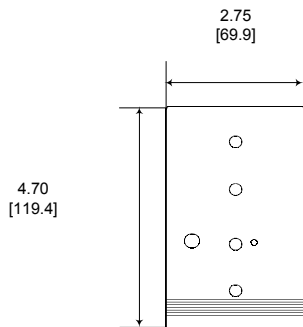
Stainless Steel Mounting Plate



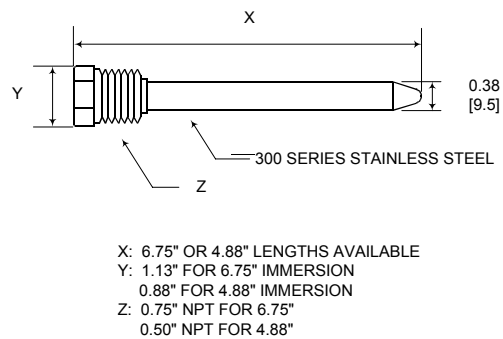
Chrome Conduit Box Adapter



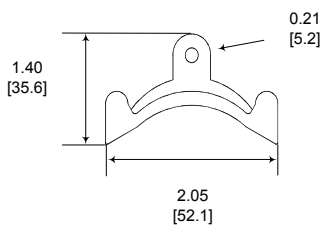
Plastic Conduit Box Adapter



Stainless Steel Thermowell



Capillary Mounting Clip



RTD Simulator

