



## SZ1061/SZ1062 Digital Fan Coil Thermostats

### Description

The SZ1062 is a microprocessor based programmable digital fan coil controller and the SZ1061 is a non-programmable digital fan coil thermostat

### Features

- Stand-alone or network operation
- P+I control option
- No battery backup required
- Minimum on/off times for HVAC equipment protection
- 32-character LCD display
- Six status LEDs
- Remote room sensing capability
- User setpoint adjustment limits
- Three speed fan
- System and fan switching with access lockouts
- External input for setback or aquastat changeover
- Access to programming may be locked out or limited with the use of an access code
- Fahrenheit or Celsius temperature display
- Control for two or four pipe systems
- 7-day programmable time clock
- Optional pipe sensor inputs for changeover (SZ1062 only)
- Adjustable delay on start-up and power-up for soft starts
- Smart recovery (SZ1062 only)
- Local and remote override capability
- External time clock and override options
- Auxiliary output for heat, cool or time clock (SZ1062 only)

### Contents

Description .....	1
Features .....	1
Mounting .....	1
Wiring .....	2
Setup .....	3
Programming .....	3
Sequence of Operation .....	6
Checkout & Troubleshooting .....	8
LED Description .....	9

### Mounting

The SZ1061 and SZ1062 are designed for wall mounting using two #6 sheet metal screws, either over a horizontally installed 2" x 4" junction box, or directly to block or drywall.

For best results, the thermostat should be mounted on an interior wall which reflects normal room environment, at a height of approximately five feet from the floor. Avoid areas exposed to direct sunlight, unusual heat or cool sources, open doors and windows, unventilated locations and hot or cold air from diffusers.

If using a remote room sensor, it should be mounted in the manner described above. The thermostat may then be mounted in an area which is accessible for adjusting its settings.



Caution: Remove power from thermostat prior to mounting.

# Wiring

The SZ1061 and SZ1062 use standard terminal designations for wiring. See diagram below.

## REMOTE SENSOR WIRING

The SZ1061 accepts one 1000 ohm two-wire platinum sensor and the SZ1062 accepts two. Use TS1009, TS1002 with TQ Series Immersion wells or TS1005 for water temperature sensing.

When using TCS/Basys Controls three-wire sensors, use the black and red leads, and either clip or twist off the white lead. The wiring length should not exceed 250 ft.

## POWERING THE SZ1061 & SZ1062

Superstats are powered from 24 VAC +/- 20%.

If wiring for communications, dedicated power must be used to power the Superstat. Several "S" Series thermostats may be powered from the same transformer, provided that the transformer has sufficient power. (Superstats require 8 VA @ 24 VAC.)

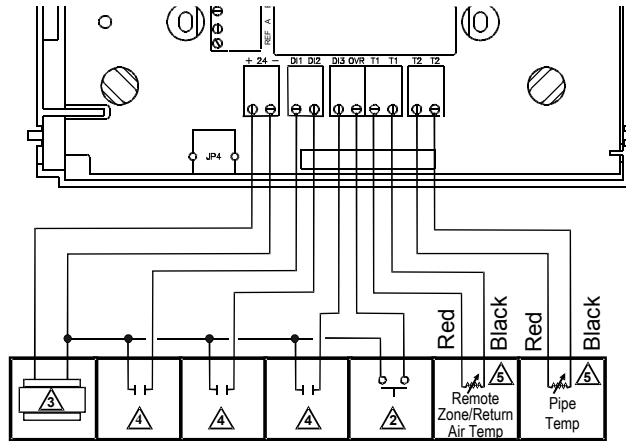
**Caution:** Do not connect to 120 VAC. When multiple TCS/Basys Controls devices are using a single transformer, the polarity of the power wiring must be maintained because all TCS devices are half-wave rectified and have common return paths.



When the Superstat is used as a stand-alone thermostat without communications, the unit transformer may be used to power it. To do this, install a jumper between the "R" and "+24" terminals. The "24-" terminal must then be connected to the common side of the unit transformer.

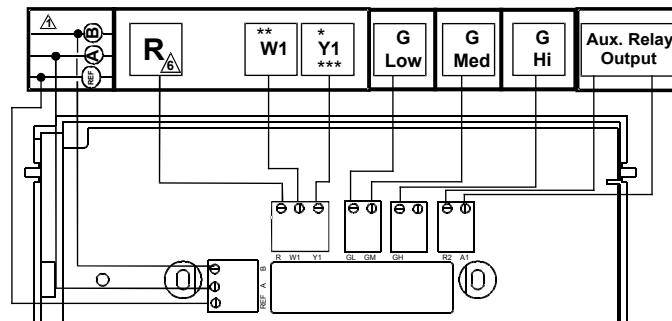
## Setup

### Input Wiring for the SZ1061 and SZ1062



- |  |  |
|--|--|
| <p><b>1</b> For communication wiring, use twisted, shielded 18 AWG. Must be run separately.</p> <p><b>2</b> Dry momentary contact. Must not be powered.</p> <p><b>3</b> 24 VAC transformer. See powering instructions.</p> <p><b>4</b> Dry contact. Must not be powered.</p> | <p><b>5</b> Sensor input wiring 18 AWG, twisted, shielded pair.</p> <p><b>6</b> Up to nominal 28 VAC from equipment transformer.</p> |
|--|--|

### Output Wiring for the SZ1061 and SZ1062

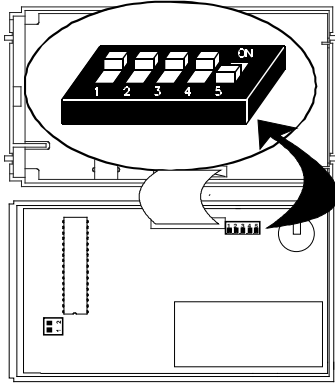


- \* When heating and cooling on a two-pipe unit, use Y1
- \*\* When heating only on a two-pipe unit, use W1
- \*\*\* When cooling only on a two-pipe unit, use Y1



**Note:** If using remote sensor(s), the calibration may need to be adjusted. See "Checkout and Troubleshooting" section.

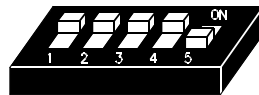
### TEMPERATURE SENSOR SELECTION



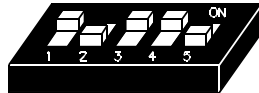
The dipswitches in the cover (shown above) must be set when using remote room, and/or pipe temp sensors.

Use the following guide to determine the dipswitch settings for your application.

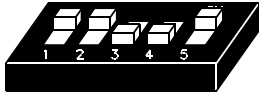
**Using built-in room sensor only. (This is the default setting.)**



**Using built-in room sensor with pipe sensor only. (SZ1062 only)**



**Using remote room sensor only.**



**Using remote room sensor with pipe sensor only. (SZ1062 only)**



Once the dipswitches have been set and you have confirmed that the sensors are reading correctly, secure the cover to the base with the two set screws located at the top right and the left side to prevent tampering.

## Programming

The SZ1061 and SZ1062 may be programmed through the keypad on the face, or with a PC.

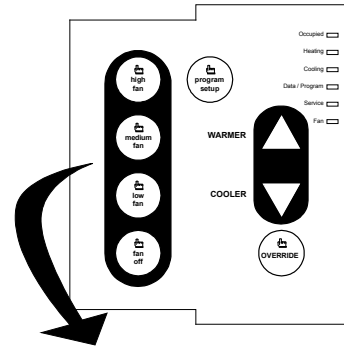
If programming with a PC, the following must be set through the face prior to programming:

- Address (step #10)
- Baud rate (step #11)
- Temperature scale (step #12)

For more information on programming through the PC, consult your TCS software manual.

### PROGRAMMING THROUGH THE KEYPAD

To access the programming screens, press the program setup button. Screens A thru F are monitoring screens and programming screens begin with #1. Access may be locked out with dipswitches, or an access code may be required.



A. WED 3:27 PM FAN:MED 82F



B. DI1 OPEN DI2 OPEN



C. DI3 OPEN AUX RELAY OFF



D. STAGE 1 ON STAGE 2 OFF



E. PIPE TEMP: 150F



F. OVERRIDE ON 178 MINUTES



**Main Monitoring Screen.** Press the program setup button to access the following screens.

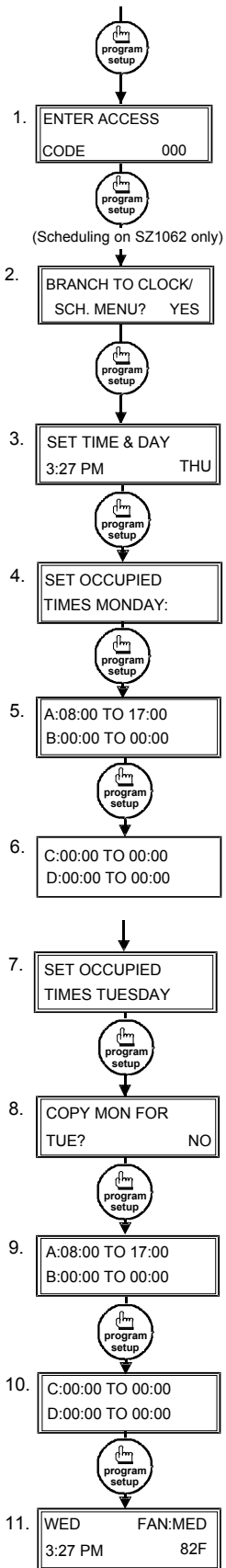
**Digital Input 1 & 2 Status Screen.** Shows the status of DI1 & DI2.

**Digital Input 3 Status & Auxiliary Relay Output Screen.** Shows the status of DI3. Shows the status of the auxiliary relay output. This can be either a timeclock output, a stage of heat or a stage of cool. (Aux. output on SZ1062 only)

**Stage 1 & 2 Status Screen.** Shows the status of stage 1 (heat) & stage 2 (cool).

**Pipe Temperature Screen.** Shows the pipe temperature if a pipe temperature sensor is used (SZ1062 only).

**Override Status Screen.** Shows the status of the first and second stages of heating.



**Access Code Entry Screen.** Will appear if access code is required for programming. Use 248 as the default. If the wrong code is entered, it will revert to Screen 'A'.

**Programming or Clock / Schedule Selection Screen.** Choose YES here to set the clock and schedule. Choose NO here to perform all other programming starting with step 10 (SZ1062 only).

**Time and Day Screen.** Set the hour, minutes, AM or PM, and day of the week (SZ1062 only).

**Schedule Announcement Screen.** Announces the next screen (SZ1062 only).

**Occupied Times Screen.** Set the hours and minutes of start and end times for up to two occupied periods (SZ1062 only).

**Occupied Times Screen.** Set the hours and minutes of start and end times for up to two occupied periods (SZ1062 only).

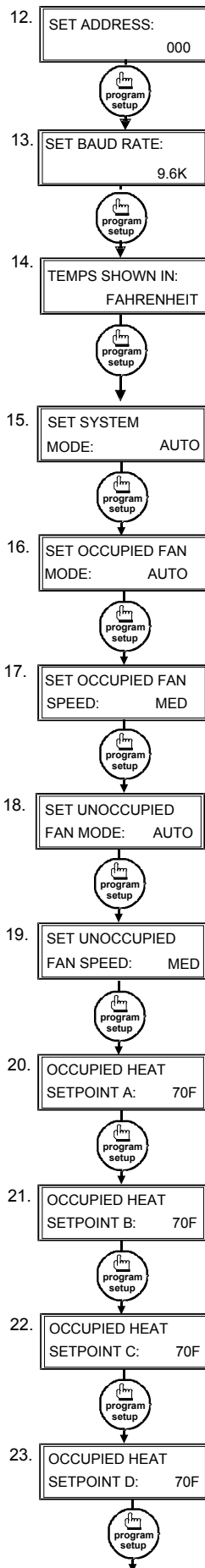
**Schedule Announcement Screen.** Announces the next screen (SZ1062 only).

**Copy Schedule Screen.** Choose to use the same schedule that was used for the previous day. If so, the next screen does not appear (SZ1062 only).

**Occupied Times Screen.** Set the hours and minutes of start and end times for up to two occupied periods (SZ1062 only).

**Occupied Times Screen.** Set the hours and minutes of start and end times for up to two occupied periods (SZ1062 only).

**Main Monitoring Screen.** When programming the Clock / Schedule, this becomes the last screen. You will need to start over by pressing program setup and selecting NO at step 2 above to continue to the Programming screens.



**Controller Address Screen.** If using a PC to access the thermostat, set a unique address from 0 to 255, excluding 248.

**Communication Baud Rate Screen.** If using a PC to access the thermostat, all controllers on a network must be set to the same baud rate. Choose between 2.4K, 4.8K, 9.6K and 19.2K.

**Display Type Screen.** Choose between FAHRENHEIT and CELSIUS for temperature indication.

**System Mode Screen.** Choose from AUTO, HEAT, COOL, or OFF for system mode. In the OFF mode, all outputs are off.

**Occupied Fan Mode Screen.** Choose between ON (continuous) or AUTO for your fan run times during the occupied modes.

**Occupied Fan Speed Screen.** Choose between LOW, MEDIUM and HIGH during the occupied modes.

**Unoccupied Fan Mode Screen.** Choose from AUTO or ON for your fan run times in the unoccupied mode.

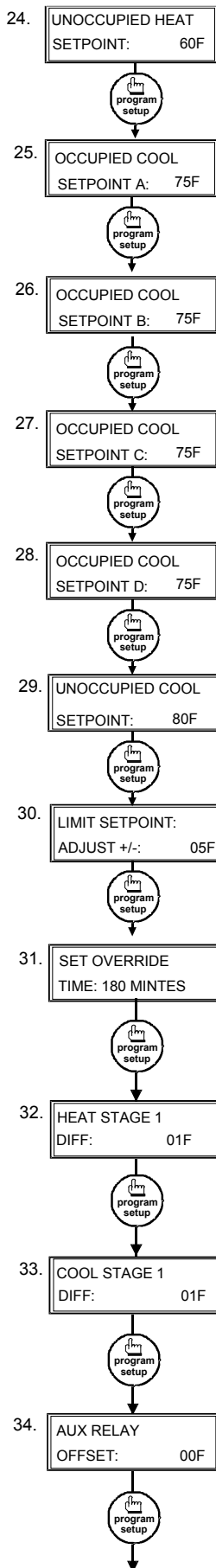
**Unoccupied Fan Speed Screen.** Choose between LOW, MEDIUM and HIGH during the unoccupied modes.

**Occupied Heat Setpoint Screen.** Set the occupied heat setpoint.

**Occupied Heat Setpoint Screen.** Set the occupied heat setpoint.

**Occupied Heat Setpoint Screen.** Set the occupied heat setpoint.

**Occupied Heat Setpoint Screen.** Set the occupied heat setpoint.



**Unoccupied Heat Setpoint Screen.** Set the unoccupied heat setpoint.

**Occupied Cool Setpoint Screen.** Set the occupied cool setpoint.

**Occupied Cool Setpoint Screen.** Set the occupied cool setpoint.

**Occupied Cool Setpoint Screen.** Set the occupied cool setpoint.

**Occupied Cool Setpoint Screen.** Set the occupied cool setpoint.

**Unoccupied Cool Setpoint Screen.** Set the unoccupied cool setpoint.

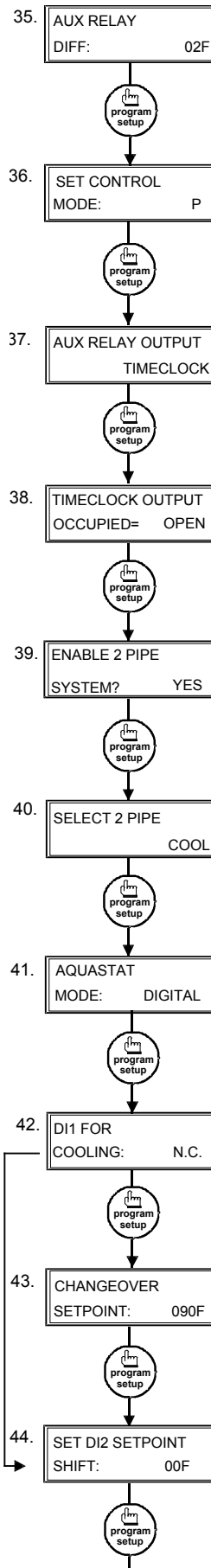
**User Setpoint Limit Screen.** Enter the number of degrees you want the user to be allowed to change the preset occupied setpoints up or down.

**Override Time Screen.** Enter the number of minutes (0 to 255) that the thermostat will maintain occupied setpoints when overridden.

**Heat Stage 1 Differential Screen.** Enter a differential value for heat stage 1.

**Cool Stage 1 Differential Screen.** Enter a differential value for cool stage 1.

**Auxiliary Relay Output Screen.** Enter an offset value for the auxiliary relay. This screen is not used if set to TIMECLOCK. (SZ1062 only).



**Auxiliary Relay Differential Screen.** Enter a differential value for the auxiliary relay. This section is not used if step 29 is set to TIMECLOCK (SZ1062 only).

**Control Mode Screen.** Enter if you want to control by temperature only (P) or add a time factor (P+I).

**Auxiliary Relay Output Screen.** Choose whether the auxiliary output will be used for either a TIMECLOCK output, a stage of HEAT or a stage of COOL (SZ1062 only).

**Time Clock Output Screen.** Choose whether the auxiliary output will be OPEN or CLOSED during occupied periods. This screen is not used if step 29 is set to HEAT or COOL (SZ1062 only).

**2-Pipe Fan Coil Enable Screen.** Choose YES if using a two-pipe system. (The stat will reboot upon pressing the program setup button.) Otherwise choose NO. If NO is chosen, it is assumed to be a four-pipe system and skip to step 44.

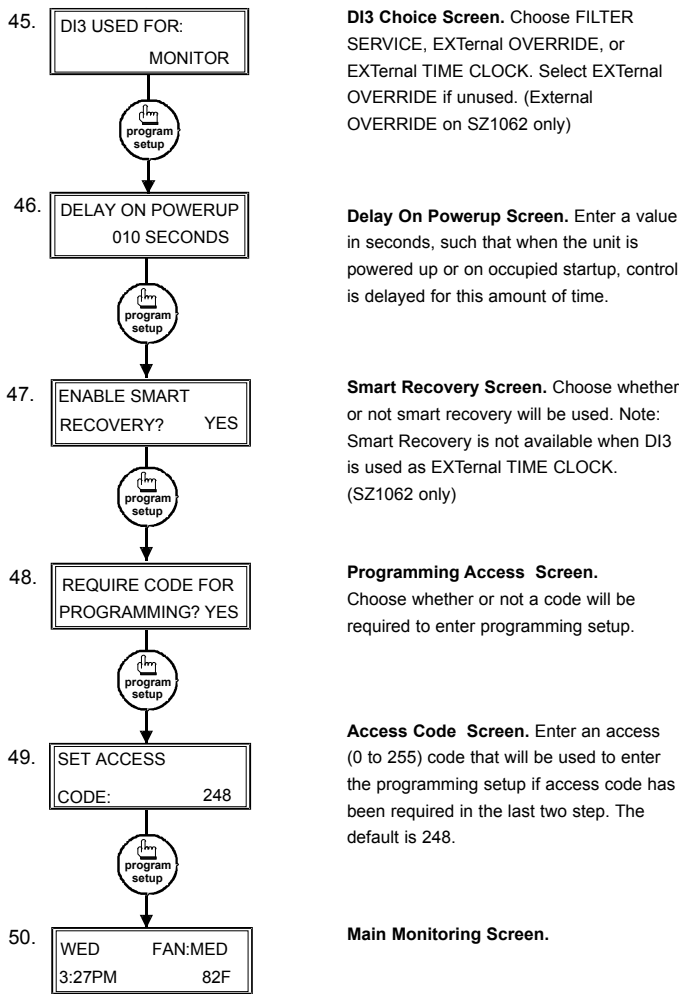
**2-Pipe Fan Coil Control Screen.** For a two-pipe fan coil, select whether it is a HEAT only system, COOL only system, or whether the system is capable of heating and cooling H&C. If HEAT or COOL is selected, skip to step 44.

**Aquastat Mode Screen.** With a two-pipe system choose whether the Aquastat function is DIGITAL (DI1) or ANALOG (T2). If analog is selected, skip to step 43. (SZ1062 only)

**Digital Aquastat Input Screen.** Choose whether DI1 will be normally open (N.O.) or normally closed (N.C.) for cooling. Then skip to step 44.

**Analog Aquastat Input Screen.** If an analog aquastat is selected, choose the changeover setpoint to distinguish when hot or cold water is available. If the 'pipe' temperature is below this setpoint, digital output Y1 will do cooling. If the 'pipe' temperature is above this setpoint, digital output Y1 will do heating. (SZ1062 only)

**DI2 Shift Screen.** Enter the setpoint shift value. This screen will only appear if DI2 is set to MONITOR.



The occupied LED will be lit when the unit is operating in the occupied mode.

The occupied schedule may be set utilizing the internal time clock (SZ1062 only) or DI3 may be used with an external time clock, whereas when DI3 is closed, the unit is in the occupied mode. The Smart Recovery function is disabled when DI3 is used for external time clock.

## OVERRIDE

A timed override is available using the button on the face of the thermostat or through momentary contacts wired into the OVR terminal. The amount of time the unit will be overridden is set from 0 to 255 minutes in the programming screen. This override behaves differently depending on the mode the thermostat is operating in (occupied or unoccupied) and the options that have been enabled within the software.

In standard mode, the override only activates in unoccupied mode and takes the thermostat into occupied mode. If "Override for Occupied Period" is enabled using the software, the override also activates in occupied mode and takes the thermostat into unoccupied mode. In either case, you are able to view the time remaining in the override period both within the software and by using the service button to scroll through the status screens. If the occupant desires to return the thermostat to unoccupied or occupied operation (depending on how the override was used) before the override time remaining elapses, they may press the override button again.

Additionally, an "Override Hold" feature is built into the thermostats. When in unoccupied mode, pressing the override once and then pressing/holding it for 5 seconds puts the thermostat into a "hold" mode (the override LED on the thermostat will flash quickly to confirm the mode change). In this mode, the override setpoints are used until the next occupied period is reached or until the thermostat is manually taken out of the "hold" mode by pressing the override button again. This feature also works when the "Override for Occupied Period" is enabled BUT starting from the occupied mode and holding the thermostat in the unoccupied state.

A continuous override is available through the DI3 contact or the software. If DI3 is set to external override, the unit will be in the occupied mode whenever the DI3 contact is closed. When using this option, the timed override may still be activated.

## SETBACK AND OVERRIDE APPLICATIONS

In most applications, it is desired to maintain a regular schedule, and allow timed override with the button on the face or with a remote momentary contact.

To allow a regular schedule, and also automatically override with the use of occupancy or light sensor, set DI3 to override and set it up so that the contact is closed when you want the override.

For applications where a room might not be used on a regular schedule, such as conference rooms, set DI3 to external time clock and close the contact when you want

## Setting Clock & Schedule

The SZ1062 clock and schedule may be set through the keypad and display, or with a PC. For more information on programming through the PC, consult your TCS software manual.

### SETTING CLOCK & SCHEDULE THROUGH THE KEYPAD

To access the clock and schedule screens, in step #2 select yes. To make changes, use the warmer and cooler keys. For screens that have more than one field to set, use the override key to move to the next field. An access code may be required.

## Operation

### UNOCCUPIED SETBACK

The SZ1061 and SZ1062 operate in either an occupied or unoccupied mode. During the occupied mode, the occupied heating and cooling setpoints will be maintained, and the fan will operate according to its occupied setting. During the unoccupied mode, the unoccupied heating and cooling setpoints will be maintained, and the fan will operate according to its unoccupied setting.

the room occupied, such as with a switch or wind-up timer. If each occupancy period is about the same, (theaters, meetings) another option is to set the DI3 to external time clock, and use the timed override button to put the unit in occupied mode.

To make the unit always occupied, set DI3 to external time clock and short the DI3 terminal to ground.

### TWO-PIPE FAN COIL OPERATION

For two-pipe fan coil operation, in step #31 select YES. You must then select whether the system is HEATING only, COOLING only or heating and cooling (H&C) in step #32.

When using a two-pipe system to do both heating and cooling, the SZ1061 and SZ1062 need to know whether hot or cold water is available. This is accomplished by either the use of a mechanical aquastat (bulb thermostat) connected to terminals DI1 and 24-, or by the use of a temperature sensor connected to T2 and T2 (SZ1062 only). If using a mechanical thermostat, select DIGITAL in step #33, and select normally closed N.C. or normally open N.O. In step #34. If using a temperature sensor, select ANALOG in step #33 and place a change-over setpoint in step #35. When the temperature is greater than this setpoint, it is assumed hot water is available and heating is done. When the temperature is less than this setpoint, it is assumed cold water is available and cooling is done.

When using a two-pipe system to do both heating and cooling, only Y1 is used. When using a two-pipe system to do only heating, only W1 is used. When using a two-pipe system to do only cooling, only Y1 is used.

### FOUR-PIPE FAN COIL OPERATION

For four-pipe fan coil operation, in step #31 select NO.

Four-pipe fan coil operation assumes that there are two water sources available (hot and cold), that are each controlled by its own valve. W1 output one is used for heating and Y1 is used for cooling.

### PIPE TEMPERATURE SENSING

The SZ1062 accepts a remote pipe temperature sensor for monitoring purposes or for changeover in a two-pipe system. (See setup instructions for dipswitch placement for this option.)

The pipe temperature span is 0 to 150°F (-17.8 to 65.6°C).

### DIGITAL OUTPUTS

The digital outputs on the SZ1061 and SZ1062 are used to control the heating and cooling in a space. Digital output W1 is used to control heating and digital Y1 is used to control cooling with a four pipe system. Only digital Y1 is used with a two-pipe system set for heat and cool (H&C).

### DI2 SETPOINT SHIFT

The SZ1061 and SZ1062 allow DI2 to be set for setpoint shift for energy demand setback. A digital contact that closes when setback is needed should be wired into DI2. You may specify a number of degrees such that, when the thermostat is operating in the occupied mode, and DI2 is closed, the heating setpoint will be lowered this number of degrees, and the cooling setpoint will be raised this number of degrees. The fan will continue to operate according to its occupied setting. If you are using DI2 as monitor for another purpose, make sure to set the setpoint shift value to zero.

### AUXILIARY RELAY OUTPUT PARAMETERS

The auxiliary relay of the SZ1062 will control one stage of either heating or cooling, or can be used as a time-clock output.

If the auxiliary relay is used as heating or cooling stage, you may specify an offset and a differential value. The offset value is the amount away from the setpoint a stage will turn off. By assigning a value other than zero, you "anticipate" that the residual heat or cooling in the duct will bring the temperature back to setpoint. In most cases, a first stage is set to zero. The differential value is the difference between the on and off points. Using an offset value greater than or equal to the differential of a heat or cooling output will allow the relay to come on after first stage is achieved. Strip heat, for example.

If the auxiliary relay is used as a timeclock output, it is selectable whether the relay is open or closed during the occupied period. During the unoccupied period, the opposite will occur.

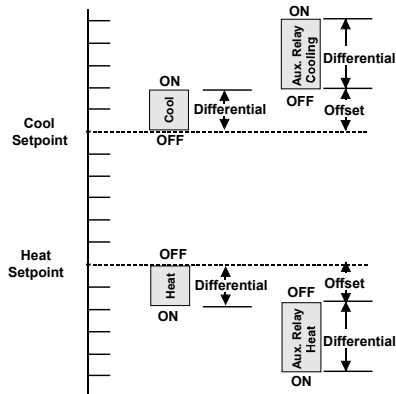
Keep in mind that although it is an isolated relay (separate common terminal), it is rated at 24 VAC @ 2A. For loads that exceed this, use an external relay. The following chart shows operation of W1, Y1 and auxiliary relay.

# Checkout & Troubleshooting

## CHECKOUT

1. Be sure to check and verify all wiring before powering the SZ1061 and SZ1062.

NOTE: The fan has a minimum on and off time of 30 seconds. A relay for heating or cooling has a minimum on and off time of 2 minutes.



## DI1 AQUASTAT

DI1 is used as an aquastat input for two-pipe fan coil systems.

It is selectable in programming step #34 whether a closed contact indicates cooling or an open contact indicates cooling.

## SMART RECOVERY

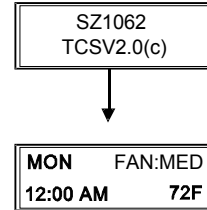
Smart Recovery may be enabled (SZ1062 only). It ramps the setpoint 4°F/hr. when going from the unoccupied and mode to the occupied mode. At the beginning of the occupied mode, the occupied setpoint will be reached, many times without the need for the second stage to come on. This feature is automatically disabled when DI3 is set to external time clock.

## BUILT-IN DELAYS

The SZ1061 and SZ1062 have delays built into the programming sequences to protect equipment. The fan has a minimum on and off time of 30 seconds. When the fan is in AUTO mode, it will come on 30 seconds before the heating or cooling devices are allowed to sequence on. The auxiliary relay, when set to be a stage of heat or cool, has a minimum on and off time of two minutes.

## DELAY ON POWERUP

The SZ1061 and SZ1062 has an adjustable delay on powerup and start-up. When several thermostats are used at one location, and the power goes out, most thermostats turn all of the units back on at the same time on regain of power, creating a peak. The thermostat allows you to set a value, in seconds, where no outputs are allowed to turn on for that length of time on powerup. Setting each unit to a different delay allows you to soft start your system, and thus prevent this peak. This function also occurs when an occupied period begins to prevent all units from starting at the same time.



NOTE: The SZ1061 does not show the day or time.

2. Turn power on. The thermostat will display a momentary screen with the model number, and then the main monitoring screen with the time, day, fan speed and current temperature.

3. Press the PROGRAM SETUP button until you reach screen #13 and set the System Mode to AUTO. Continue on until you reach screen #14 and set the Occupied Fan Mode to AUTO. Go to screen #22 which allows you to set the occupant setpoint adjustment limits. Change this to +/-20 °F (11.1 °C). Press the PROGRAM SETUP button once more to store the change. Then press the FAN OFF button once to exit the programming.



4. Verify that the thermostat is operating in the occupied mode by making sure that the top LED is lit. If not, press the OVERRIDE button. The LED should light up.

5. Take note of the current temperature reading. Press the WARMER (up) button. The setpoint adjustment screen should now be showing. Press the WARMER button until the heating setpoint is greater than the current temperature by at least five degrees. The fan will come on. The W1 relay will come on after 30 seconds.

6. Press the cooler (down) button until the heating setpoint is one degree less than the current temperature. The heating stage will sequence off. The fan will turn off 2 minutes afterwards.

7. Press the cooler button until the cooling setpoint is less than the current temperature by at least five degrees. The fan will come on. The Y1 relay will come on after 30 seconds.

8. Press the warmer button until the cooling setpoint is greater than the current temperature by one degree. The cooling stage will sequence off. The fan will turn off 2 minutes afterwards.

9. Go back to programming step #22 and set the setpoint adjust limit back to the desired value. Make any other changes in programming, clock, and schedule. Set the fan and system modes to their desired settings.

10. If using remote sensor(s), verify that the reading is correct. If not, see Wrong Temperature Display in Troubleshooting section.

**TROUBLESHOOTING**

**No Display**

Check for 24 VAC on terminals "+24" and "-24". Check the cable connecting the cover to the base for a good connection.

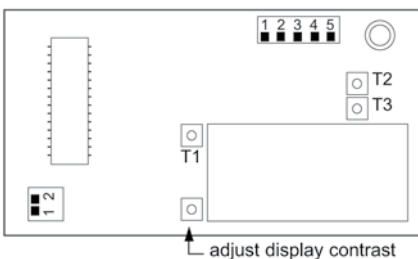
**Fan Does Not Come On**

The fan is on whenever the fan LED is on. If the fan should be on, but the fan LED is off, check the occupied and unoccupied fan mode in programming. If the Fan Status is OFF, press the Low, Medium or High button. If the fan is off but the fan LED is on, check wiring. Short terminals "R" to "GL", "GM" or "GH" and see if the fan comes on. This is a check for a mechanical relay failure.

**Heating or Cooling Does Not Come On**

Heating is on whenever the heating LED is on, and cooling is on whenever the cooling LED is on. If heating or cooling should be on but the heating or cooling LED is off, check the fan and system modes. Also, check the heating and cooling setpoints, offsets and differentials, and the room temperature to be sure heating or cooling should be on.

**Wrong Temperature Display**



If any of the temperatures are reading slightly high or low, there are three adjustment pots located in the cover to adjust them. "T1" is for the room temperature and "T2" is for the pipe temperature. If the temperature is at a minimum or maximum reading, check the sensor dipswitch positions. (See setup instructions.) Check for wiring problems (opens or shorts). A remote 1000 ohm sensor should read 1082 ohms at 70°F (21.1°C).

**Outputs Will Not Shut Off**

First check the room temperature and the setpoints and determine whether the output should be on. There are delays and minimum on and off times for the fan and heating and cooling stages. Also, check the service

menus to verify that the outputs are on. Turning the system to "off" will instantly turn all outputs off. The thermostat can be reset by pressing the system switch button and the service status button simultaneously.

**Output Operation is not Correct**

Check programmed parameters, in particular "Offset" and "Differential" selections and "Delay Times" for the relay outputs. Check wiring.

**LED Description**

Six LEDs on the face allow the occupant to view the current operating status of the thermostat.

**OCCUPIED**

This LED will be lit whenever the unit is operating in the occupied mode.

**HEATING**

This LED will be lit when any heat output is operating.

**COOLING**

This LED will be lit when any cool output is operating.

**DATA / PROGRAM**

This LED will be lit when the thermostat is within the programming or clock setup menus. It will blink when the unit is being accessed by a PC.

**SERVICE**

This LED will be lit when DI2 is closed.

**FAN**

This LED will be lit when the fan output is closed.

**Limiting Occupant Access**

**SETPOINT ADJUSTMENT**

The occupant may temporarily change the occupied heating and cooling setpoints +/- 5°F by factory default. This setpoint change will remain until the end of the current occupied period, at which time the program reverts to the setpoints defined in programming. To change the range of adjustment allowed, see programming step #22.

**OVERRIDE**

The occupant has the ability to put the unit into occupied mode by pressing the override button on the front. By factory default, the unit will remain in the occupied mode for 180 minutes. This value may be changed from 0 to 255 minutes in programming step #23.

## **SETTING CLOCK & SCHEDULE**

The ability to set the clock and schedule is allowed by factory default. An access code may be required as set in programming step # 41.

## **PROGRAMMING**

The ability to program control parameters is allowed by factory default. An access code may be required as set in programming step # 41.

## **User's Guide**

---

Inside the hinged door of the thermostat is the Superstat™ User's Guide. This guide is designed to assist the installer in explaining to the end user how to operate their new thermostat, as well as serve as a handy future reference for the end user.

We recommend that the installer fill out the appropriate pages and explain to the user how the thermostat operates, what settings may be changed, and how the time clock schedules are used.