

## PK Series Surge Protection Devices



### Description

The PK Series Surge Protectors are designed to provide surge suppression for power, communications and data transfer equipment.

#### The PK Series features:

##### PK1000

- Diagnostic LED
- Small footprint
- Parallel connection
- Three voltage configurations

##### PK1001

- Multiple clamping voltages
- Modular
- Provides over voltage protection
- Self resetting fusing
- Self Restoring

##### PK1002

- Receptacle ground pin option
- Extra low impedance
- Plug and play RJ45 jack
- Extra tight clamping

##### PK1003

- Parallel function
- 2 pair terminal strip
- 30 volt configuration

### Specifications

##### PK1000

- Agency approvals: UL1449, cUL
- Continuous current: Unlimited (parallel connection)
- Protection modes: L - N, L - G, N - G
- Connection: 110-120 VAC
- MCOV: 130 VAC
- Maximum surge current: 22,500 A
- UL Suppressed voltage rating: 500 V

##### PK1001

- Agency approvals: UL497B, UL497A (specify)
- Continuous current: 5 Amps
- Protection modes: T - G, R - G (all modes)
- Connection method: Universal RJ11/14/25/45 (1-4 pair, specify)
- Service voltage: 30 V
- MCOV: 38 VDC
- Typical clamp: 42-52
- Maximum surge current: 2000 A
- Maximum Joules per pair: 17

##### PK1002

- Standards met: EIA/TIA568A, EIA/TIA568B (CAT 5/5e)
- Continuous current: 0.30 A
- Connection method: RJ45, IN / OUT
- Insertion loss: <0.5db
- Attenuation: -0.6db per pair
- Near end crosstalk: -44db per pair
- Service voltage: <5 VDC
- MCOV: 8 VDC
- Maximum surge current: 60 A

##### PK1003

- Agency approvals: UL497B, UL497A (specify)
- Continuous current: 5 A
- Connection method: Screw terminal, 2 pair
- Response time: <5nS
- Protection modes: L - G (All)
- Service voltage: 30 V
- MCOV: 38 VDC
- Typical let-through voltage: 47
- Surge current: 2000 A
- Maximum Joules: 17

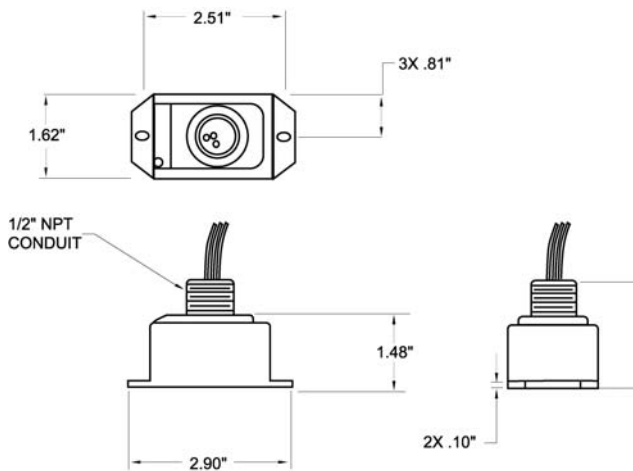
# Ordering Information

Part No.	Description
PK1000	Power surge protection, 120V Hardwire 2 wire plus ground
PK1001	Voice/Data surge protection, 6 pin, 2 wire modular in/out
PK1002	High speed data surge protection, 8 pin 8 wire modular in/out, RJ45
PK1003	RS485 surge protection, 2 pair terminal strip

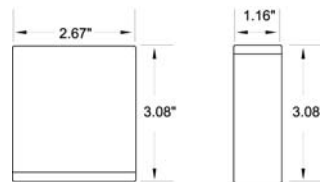
## Dimensions

Note: inches [mm]

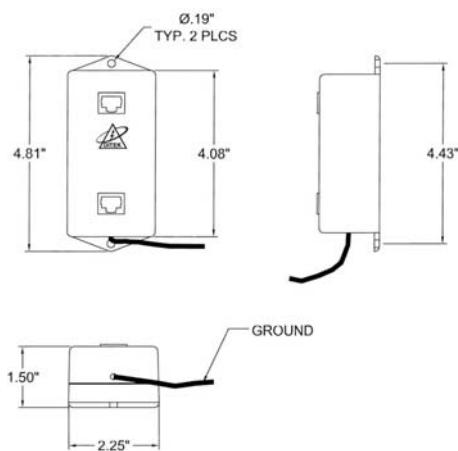
PK1000



PK1001



PK1002



PK1003

