

AIR PRESSURE SWITCHES

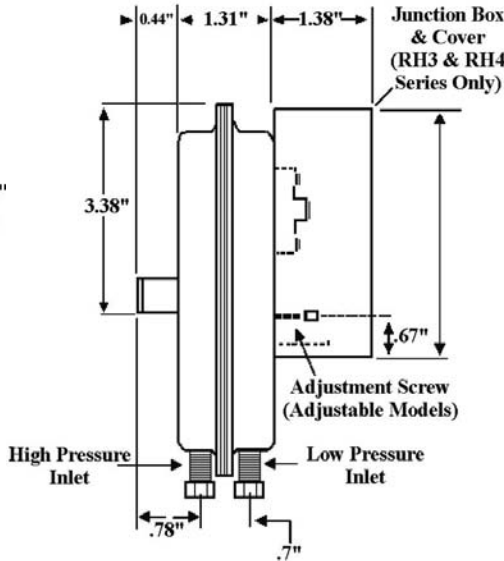
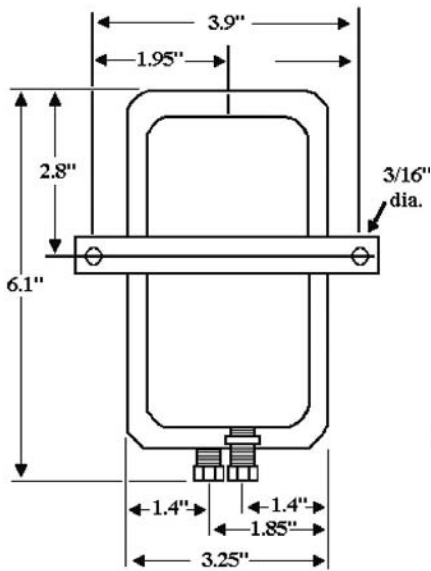
AIR FLOW SENSING-DIFFERENTIAL PRESSURE SWITCH



- UL Recognized/CSA Approved
- Tube, Barbed and Compression Connections
- Used to Sense Low Pressure, Vacuum or Pressure Differential
- Factory Fixed or Field Adjustable



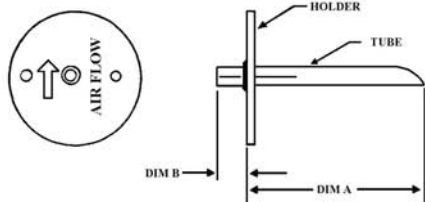
UPC	MODEL	DESCRIPTION	RANGE	VOLT
546065	RH1405D0	Fixed w ith 1/4" Tube Connections High Side	0.05" WC	125-277 V
546072	RH1505D0	Fixed w ith 1/4" Tube Connections	0.05" WC	125-277 V
546164	RH2500D0	Adjustable w ith 1/4" Tube Connections	0.05" WC	125-277 V
546218	RH3	Adjustable w ith Barbed Connections -Auto Reset	.05-12" WC	125-277 V
546232	RH35	Adjustable w ith Barbed Connections -Auto Reset	.05-2.0" WC	125-277 V
546317	RH3A	Ad w ith Compression Fittings, Auto Reset	.05-12" WC	125-277 V
546249	RH35AK	Ad w ith Compression Fittings, Auto Reset	.05-1.0" WC	125-277 V
546423	RH4CC01C1	Ad w ith Compression Fittings, Manual Reset	.05-12" WC	125-277 V
--	61-0730-00	Pitot Tube A=4.69 B=0.69 Figure 1	N/A	125-277 V
--	61-0730-003	Pitot Tube A=6.69 B=0.69 Figure 1	N/A	125-277 V
--	61-01729-00	Pitot Tube A=4.00 B=0.50 Figure 2	N/A	125-277 V
--	61-01729-20	Pitot Tube A=2.00 B=0.50 Figure 2	N/A	125-277 V
--	61-01729-21	Pitot Tube A=1.50 B=0.50 Figure 2	N/A	125-277 V
--	61-01729-22	Pitot Tube A=6.00 B=0.50 Figure 2	N/A	125-277 V
--	61-01729-27	Pitot Tube A=3.50 B=0.50 Figure 3	N/A	125-277 V



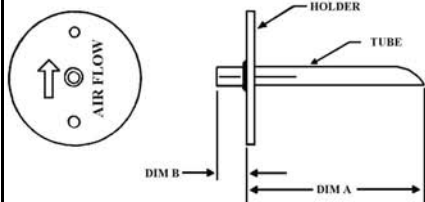
Junction Box cover
RH3 & RH4 Series Only

Drawing show models
with compression fittings

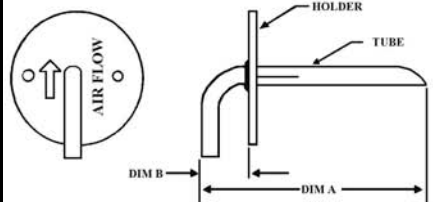
Adjustment screw for
adjustable pressure models
only



Pitot Tube Figure 1



Pitot Tube Figure 2



Pitot Tube Figure 3